

E10299



Connecting cable with socket

ADOAF032MSS0010A03

Article no longer available - archive entry



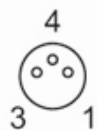
Electrical data		
Operating voltage	[V]	10...30 DC
Protection class		III
Outputs		
Electrical design		PNP
Operating conditions		
Ambient temperature	[°C]	-25...90
Protection		IP 67
Mechanical data		
Dimensions	[mm]	17 x 10 x 26
Materials		TPU transparent
Moulded-body material		TPU, transparent
Material nut		brass, nickel-plated
Displays / operating elements		
Display	switching status	1 x LED, yellow
	operation	1 x LED, green
Remarks		
Pack quantity		1 pcs.
Electrical connection		
Cable: 10 m, PUR / PVC, orange, Ø 5 mm; 3 x 0.34 mm ²		
Electrical connection - socket		
Connector: 1 x M8, angled; Moulded body: TPU, transparent; Locking: brass, nickel-plated		

E10299

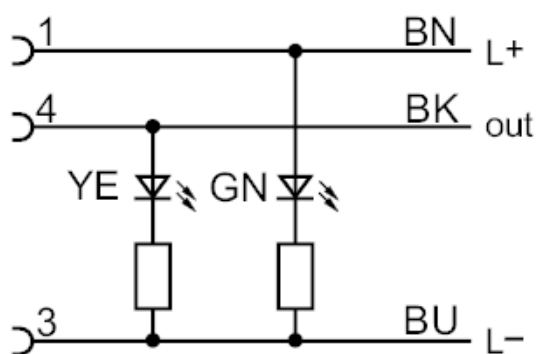


Connecting cable with socket

ADOAF032MSS0010A03



Connection



Core colours :

BN =

brown

BK =

black

BU =

blue