

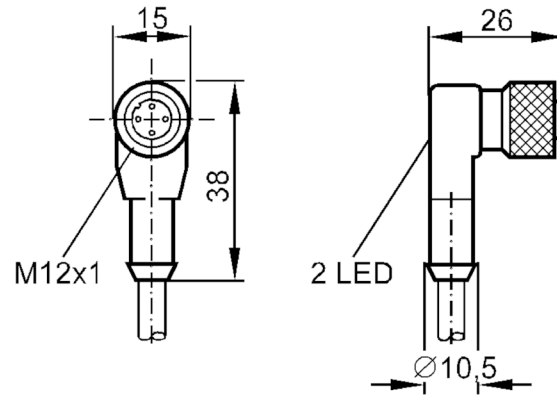
E10254



Connecting cable with socket

ADOAH042ZDS0005A03

Article no longer available - archive entry



Electrical data

Operating voltage [V] 10...30 DC

Outputs

Electrical design PNP

Operating conditions

Ambient temperature [°C] -25...90

Protection IP 67

Mechanical data

Dimensions [mm] 26 x 15 x 38

Materials PUR

Moulded-body material PUR

Material nut diecast zinc, nickel-plated

Displays / operating elements

Display	switching status	1 x LED, yellow
	operation	1 x LED, green

Remarks

Pack quantity 1 pcs.

Electrical connection

Cable: 5 m, PUR / PVC, black, Ø 4.5 mm; 3 x 0.34 mm²

Electrical connection - socket

Connector: 1 x M12, angled; Moulded body: PUR; Locking: diecast zinc, nickel-plated

E10254

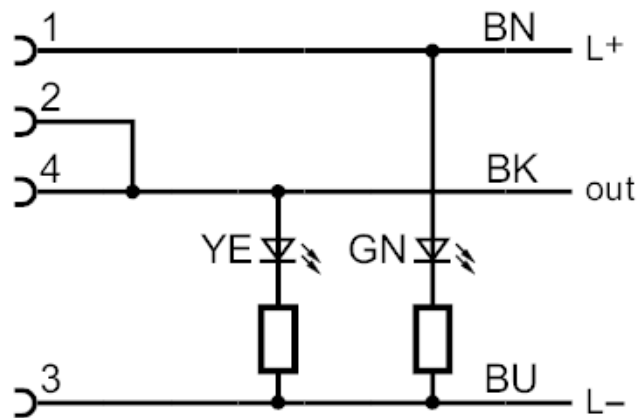


Connecting cable with socket

ADOAH042ZDS0005A03



Connection



Core colours :

BN = brown
BK = black
BU = blue