

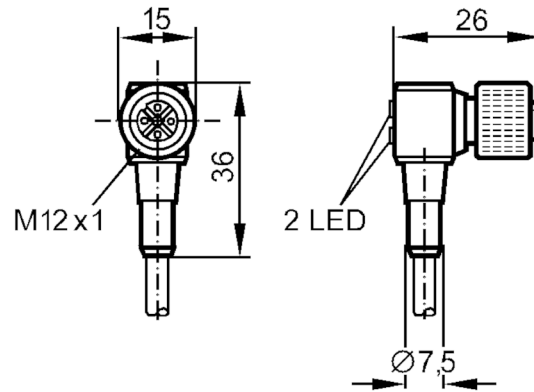
E10008



Connecting cable with socket

ADOAH042ZDS0005E03

Article no longer available - archive entry



Electrical data

Operating voltage [V] 10...30 DC

Outputs

Electrical design PNP

Operating conditions

Ambient temperature [°C] -25...90

Protection IP 67

Mechanical data

Materials PUR

Material nut diecast zinc

Displays / operating elements

Display	switching status	1 x LED, yellow
	operation	1 x LED, green

Remarks

Pack quantity 1 pcs.

Electrical connection

Cable: 5 m, PVC, black, Ø 4.5 mm; 3 x 0.34 mm²

Electrical connection - socket

Connector: 1 x M12, angled; Moulded body: PUR; Locking: diecast zinc

E10008

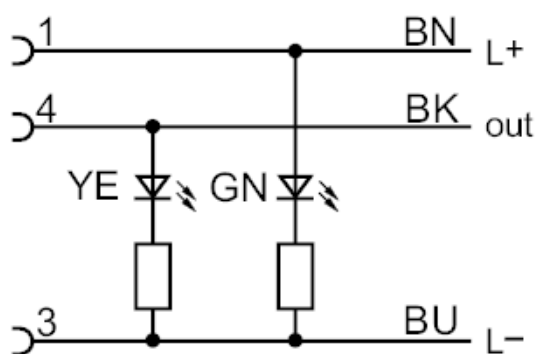


Connecting cable with socket

ADOAH042ZDS0005E03



Connection



Core colours :

BN = brown
BK = black
BU = blue

Article no longer available - archive entry