

E10913



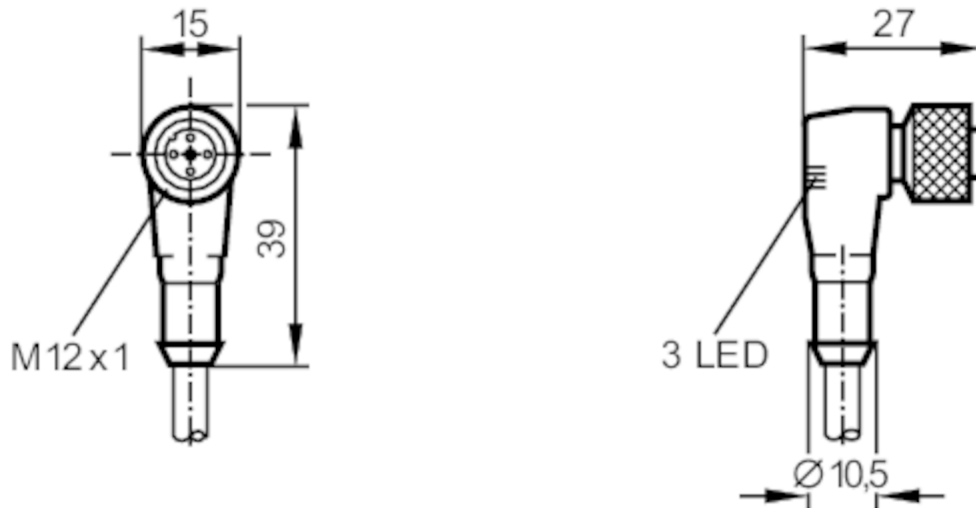
Connecting cable with socket

ADOAH043SCS0005I04

Article no longer available - archive entry

Alternative articles: EVW008

When selecting an alternative article and accessories please note that technical data may differ!



Application		
Special feature	Free from silicone; Halogen-free; Gold-plated contacts	
Free from silicone	yes	
Electrical data		
Operating voltage [V]	10...30 DC	
Max. current load total [A]	4	
Outputs		
Electrical design	PNP	
Operating conditions		
Ambient temperature [°C]	-25...90	
Protection	IP 68	
Mechanical data		
Dimensions [mm]	27 x 15 x 39	
Materials	TPU transparent	
Moulded-body material	TPU, transparent	
Material nut	brass, anti-spatter	
Displays / operating elements		
Display	switching status	2 x LED, yellow
	operation	1 x LED, green

E10913



Connecting cable with socket

ADOAH043SCS0005I04

Remarks

Pack quantity

1 pcs.

Electrical connection

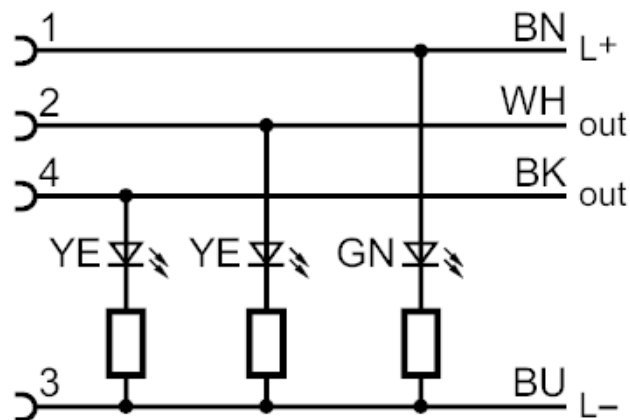
Cable: 5 m, PUR, Halogen-free, black, Ø 4.8 mm; cross-linked; 4 x 0.34 mm²

Electrical connection - socket

Connector: 1 x M12, angled; Moulded body: TPU, transparent; Locking: brass, anti-spatter; Contacts: gold-plated; Tightening torque: 0.5 Nm



Connection



Core colours :

BK = black
BN = brown
BU = blue
WH = white