

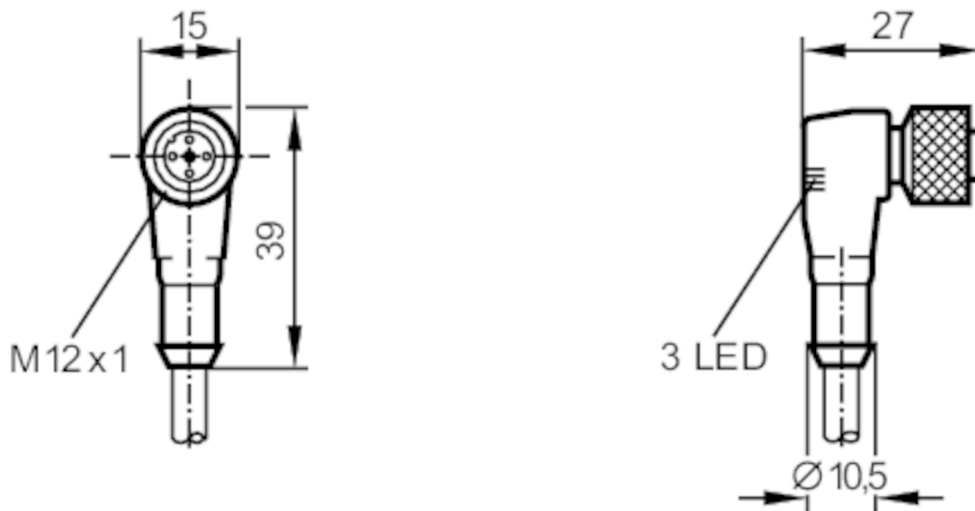
E10870



Connecting cable with socket

ADOAH043MSS0005H04

Article no longer available - archive entry



Application

Special feature: Halogen-free

Electrical data

Operating voltage [V]: 10...30 DC

Outputs

Electrical design: PNP

Operating conditions

Ambient temperature [°C]: -25...90

Protection: IP 67

Mechanical data

Dimensions [mm]: 27 x 15 x 39

Materials: TPU

Moulded-body material: TPU

Material nut: brass, anti-spatter

Displays / operating elements

Display	switching status	2 x LED, yellow
	operation	1 x LED, green

Remarks

Pack quantity: 1 pcs.

Electrical connection

Cable: 5 m, PUR, Halogen-free; cross-linked; 4 x 0.34 mm² (19 x Ø 0.15 mm)

Electrical connection - socket

Connector: 1 x M12, angled; Moulded body: TPU; Locking: brass, anti-spatter

E10870

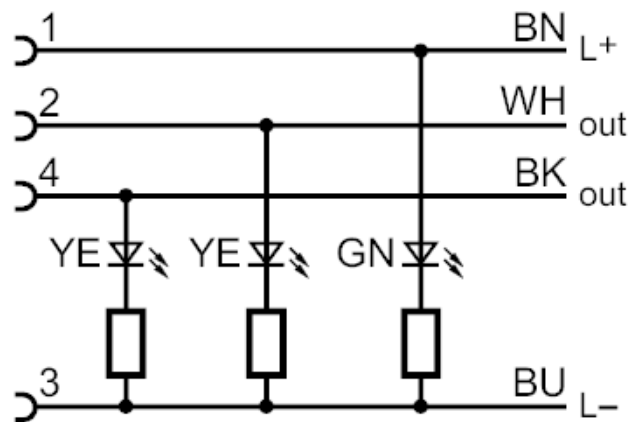


Connecting cable with socket

ADOAH043MSS0005H04



Connection



Core colours :

BK =	black
BN =	brown
BU =	blue
WH =	white