

E10831



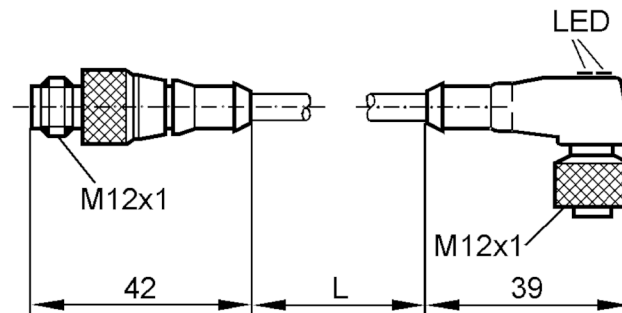
Connection cable

VDOAH043MSS0002F04STGH040MSS

Article no longer available - archive entry

Alternative articles: EVC023

When selecting an alternative article and accessories please note that technical data may differ!



Electrical data

Operating voltage	[V]	10...30 DC
-------------------	-----	------------

Operating conditions

Ambient temperature	[°C]	-25...70
---------------------	------	----------

Protection	IP 67
------------	-------

Mechanical data

Materials	TPU
-----------	-----

Displays / operating elements

Display	switching status	1 x LED, yellow
	operation	1 x LED, green

Remarks

Pack quantity	1 pcs.
---------------	--------

E10831



Connection cable

VDOAH043MSS0002F04STGH040MSS

Electrical connection

Cable: 2 m, PVC, orange, \varnothing 5 mm; cross-linked; 4 x 0.34 mm² (19 x \varnothing 0.15 mm)

Connection

