

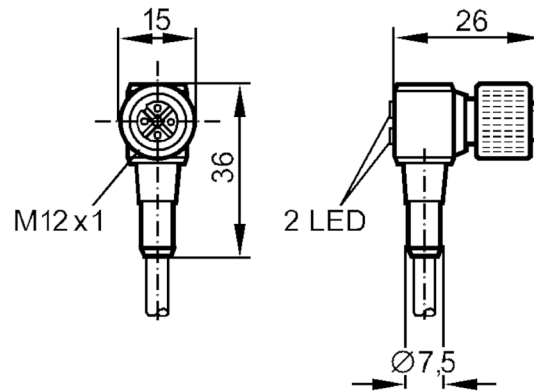
E10723



Connecting cable with socket

ADOAH042VAS0020A03

Article no longer available - archive entry



Electrical data

Operating voltage [V] 10...30 DC

Outputs

Electrical design PNP

Operating conditions

Ambient temperature [°C] -25...90

Protection IP 68

Mechanical data

Dimensions [mm] 36 x 15 x 26

Materials PUR

Moulded-body material PUR

Material nut stainless steel (1.4305 / 303)

Displays / operating elements

Display	switching status	1 x LED, yellow
	operation	1 x LED, green

Remarks

Pack quantity 1 pcs.

Electrical connection

Cable: 20 m, PUR / PVC, black, Ø 4.5 mm; 3 x 0.34 mm² (182 x Ø 0.05 mm)

Electrical connection - socket

Connector: 1 x M12, angled; Moulded body: PUR; Locking: stainless steel (1.4305 / 303)

E10723

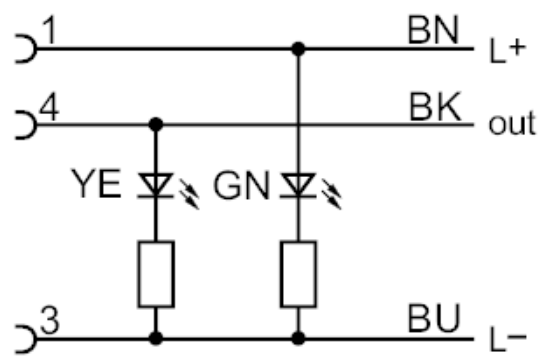


Connecting cable with socket

ADOAH042VAS0020A03



Connection



Core colours :

BK = black
BN = brown
BU = blue