

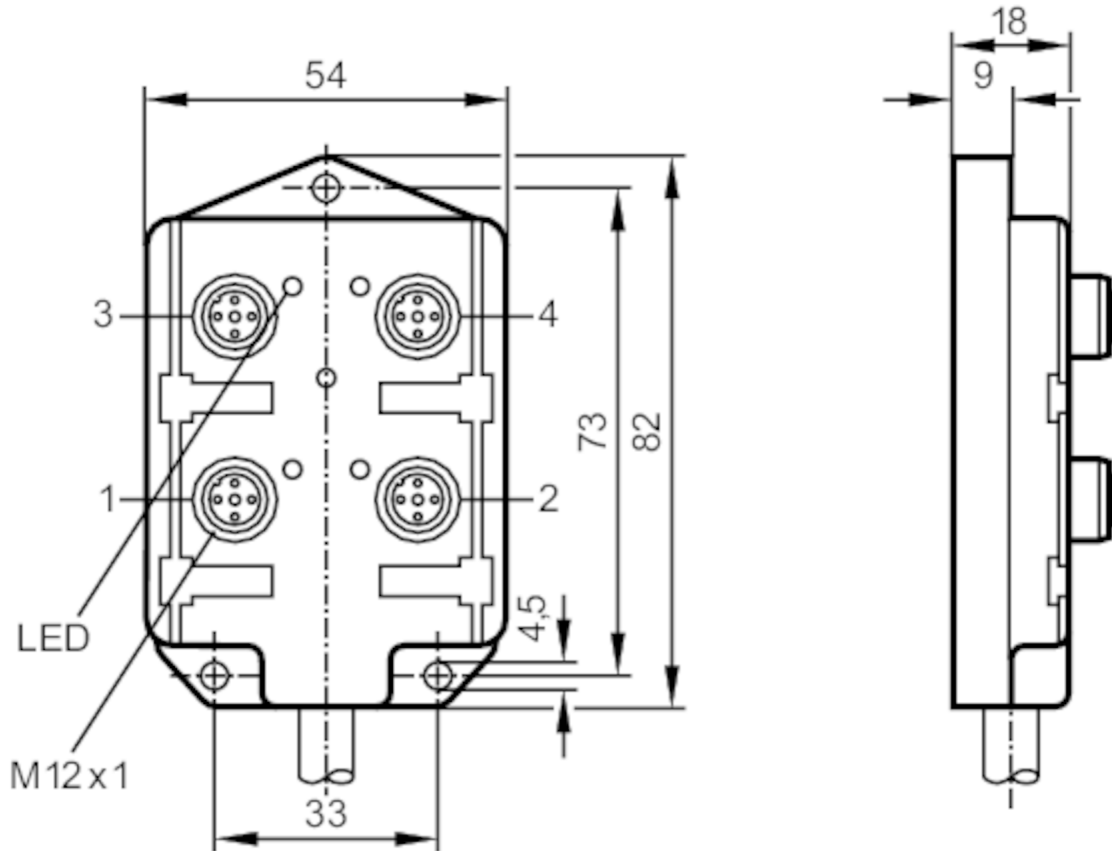
E10711



Splitter box

ZDO4H045MSS0025A07

Article no longer available - archive entry



Application

Special feature	Free from silicone; Halogen-free; Gold-plated contacts
Free from silicone	yes

Electrical data

Operating voltage	[V]	10...30 DC
Protection class		II
Max. current load per module/slot	[A]	4
Max. current load total	[A]	12

Operating conditions

Ambient temperature	[°C]	-15...80
Protection		IP 67

Mechanical data

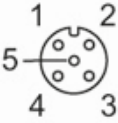
Dimensions	[mm]	18 x 54 x 82
Materials		TPU
Moulded-body material		TPU
Number of ports splitter box		4
Connector type		M12

E10711



Splitter box

ZDO4H045MSS0025A07

Displays / operating elements		
Display	switching status	4 x LED, yellow
	operation	1 x LED, green
Remarks		
Pack quantity	1 pcs.	
Electrical connection		
Cable: 25 m, PUR, Halogen-free; 4 x 0.34 mm ² + 3 x 0.75 mm ²		
Electrical connection - slot		
Connector: 4 x M12; Moulded body: TPU; Contacts: gold-plated; Tightening torque: 0.5 Nm		
		

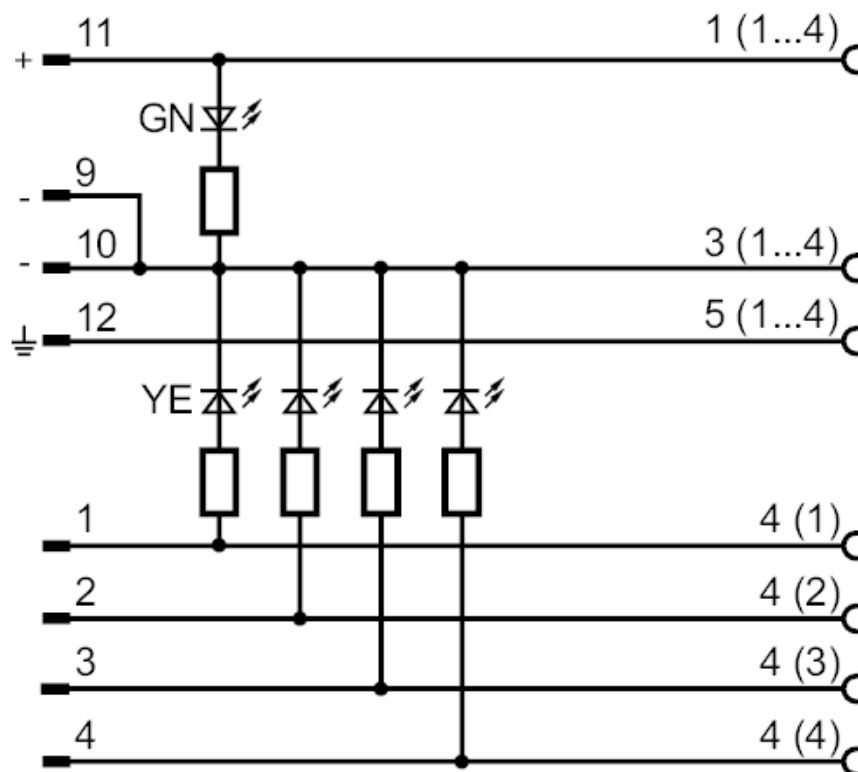
E10711



Splitter box

ZDO4H045MSS0025A07

Connection



Core colours :

BN =	brown
BU =	blue
GN =	green
GN/YE =	green/yellow
GY =	grey
WH =	white
YE =	yellow