

# E10710



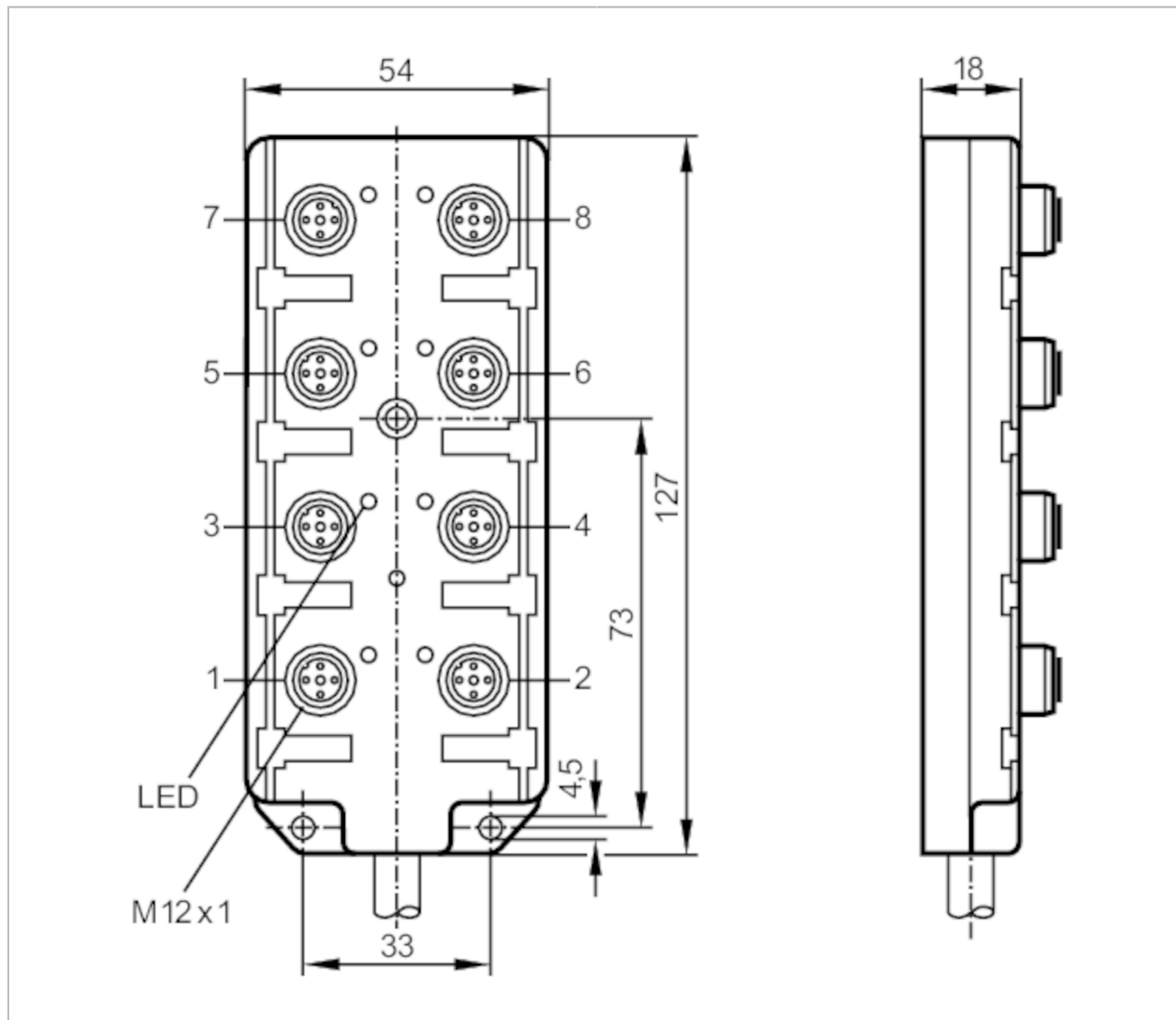
## Splitter box

ZDO8H059MSS0025H11

Article no longer available - archive entry

Alternative articles: EBC039

When selecting an alternative article and accessories please note that technical data may differ!



### Application

Special feature	Free from silicone; Halogen-free; Gold-plated contacts
Free from silicone	yes

### Electrical data

Operating voltage	[V]	10...30 DC
Protection class		II
Max. current load per module/slot	[A]	4
Max. current load total	[A]	12

# E10710



## Splitter box

ZDO8H059MSS0025H11

### Operating conditions

Ambient temperature	[°C]	-15...80
Protection		IP 67

### Mechanical data

Dimensions	[mm]	18 x 54 x 127
Materials		TPU
Moulded-body material		TPU
Number of ports splitter box		8
Connector type		M12

### Displays / operating elements

Display	switching status	8 x LED, yellow
	operation	1 x LED, green

### Remarks

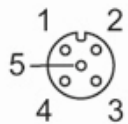
Pack quantity	1 pcs.
---------------	--------

### Electrical connection

Cable: 25 m, PUR, Halogen-free; 8 x 0.34 mm<sup>2</sup> + 3 x 0.75 mm<sup>2</sup>

### Electrical connection - slot

Connector: 8 x M12; Moulded body: TPU; Contacts: gold-plated; Tightening torque: 0.5 Nm



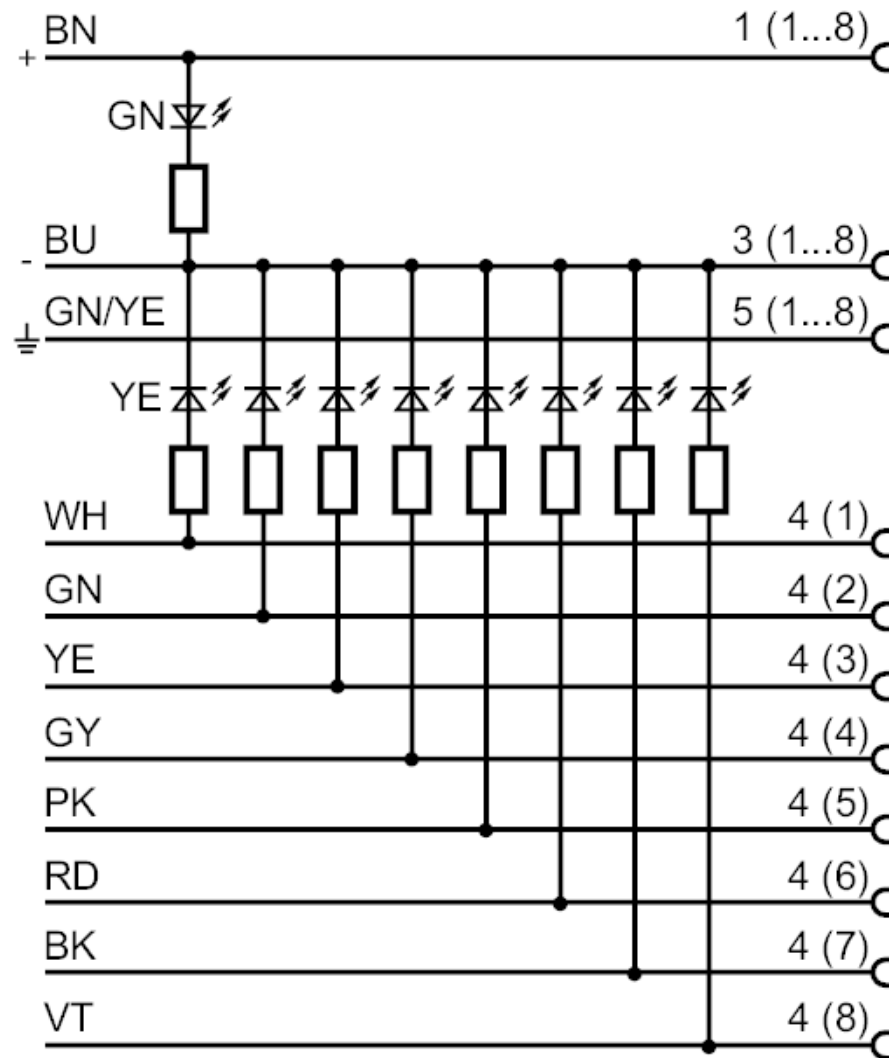
# E10710



## Splitter box

ZDO8H059MSS0025H11

### Connection



#### Core colours :

BK =	black
BN =	brown
BU =	blue
GN =	green
GN/YE =	green/yellow
GY =	grey
PK =	pink
RD =	red
VT =	lilac
WH =	white
YE =	yellow

# E10710

## Splitter box

ZDO8H059MSS0025H11

