

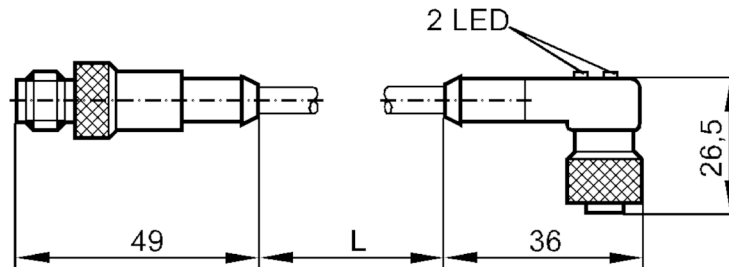
E10628



Connection cable

VDOAH042ZDS00,3A03STGH030ZDS

Article no longer available - archive entry



Electrical data

Operating voltage [V] 10...30 DC

Operating conditions

Ambient temperature [°C] -25...90

Protection IP 68

Mechanical data

Materials PUR

Material nut diecast zinc, nickel-plated / diecast zinc, nickel-plated

Displays / operating elements

Display	switching status	1 x LED, yellow
	operation	1 x LED, green

Remarks

Pack quantity 1 pcs.

Electrical connection - plug

Connector: 1 x M12, straight; Moulded body: PUR; Locking: diecast zinc, nickel-plated



E10628



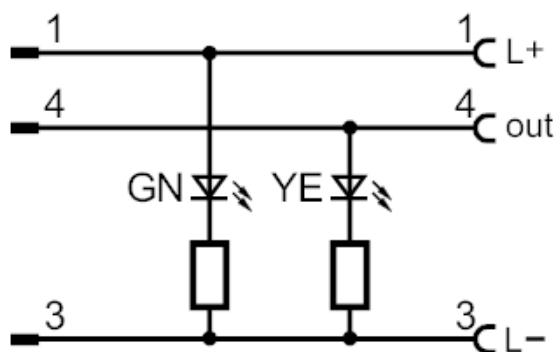
Connection cable

VDOAH042ZDS00,3A03STGH030ZDS

Electrical connection

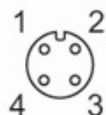
Cable: 0.3 m, PUR / PVC; 3 x 0.34 mm² (182 x Ø 0.05 mm)

Connection



Electrical connection - socket

Connector: 1 x M12, angled; Moulded body: PUR; Locking: diecast zinc, nickel-plated



Article no longer available - archive entry