

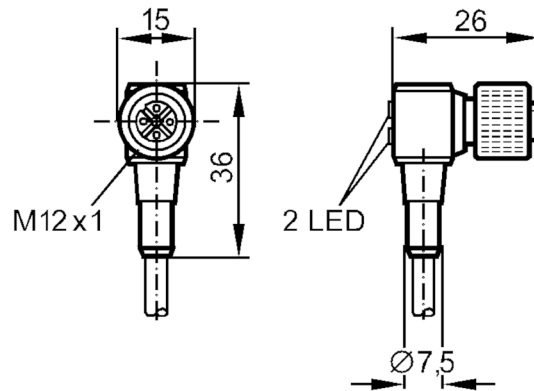
E10611



Connecting cable with socket

ADOAH042VAS0020E03

Article no longer available - archive entry



Electrical data

Operating voltage [V] 10...30 DC

Outputs

Electrical design PNP

Operating conditions

Ambient temperature [°C] -25...90

Protection IP 67

Mechanical data

Materials PUR

Moulded-body material PUR

Material nut stainless steel (1.4305 / 303)

Remarks

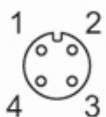
Pack quantity 1 pcs.

Electrical connection

Cable: 20 m, PVC, black, Ø 4.5 mm; 3 x 0.34 mm²

Electrical connection - socket

Connector: 1 x M12, angled; Moulded body: PUR; Locking: stainless steel (1.4305 / 303)



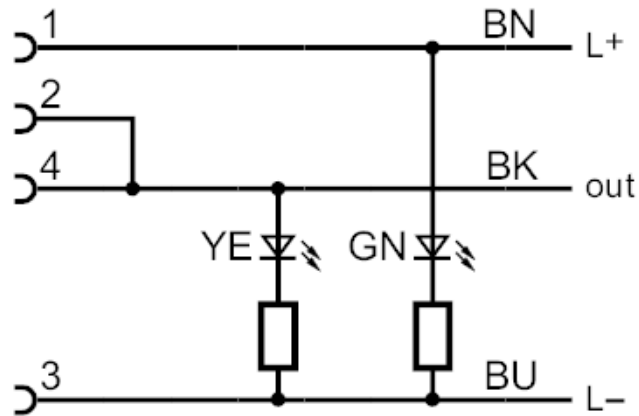
E10611



Connecting cable with socket

ADOAH042VAS0020E03

Connection



Core colours :

BK = black
BN = brown
BU = blue