

E10511

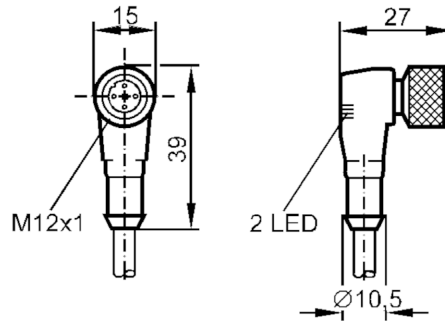


Connecting cable with socket

ADOAH042MSS0002F03

Article no longer available - archive entry

replaced by: E10912



Electrical data		
Operating voltage	[V]	10...30 DC
Outputs		
Electrical design		PNP
Operating conditions		
Ambient temperature	[°C]	-25...90
Protection		IP 67
Mechanical data		
Dimensions	[mm]	27 x 15 x 39
Materials		TPU transparent
Material nut		brass, anti-spatter
Displays / operating elements		
Display	switching status	1 x LED, yellow
	operation	1 x LED, green
Remarks		
Pack quantity		1 pcs.
Electrical connection		
Cable: 2 m, PVC, orange, Ø 5 mm; cross-linked; 3 x 0.34 mm ² (19 x Ø 0.15 mm)		
Electrical connection - socket		
Connector: 1 x M12, angled; Moulded body: TPU, transparent; Locking: brass, anti-spatter		

E10511

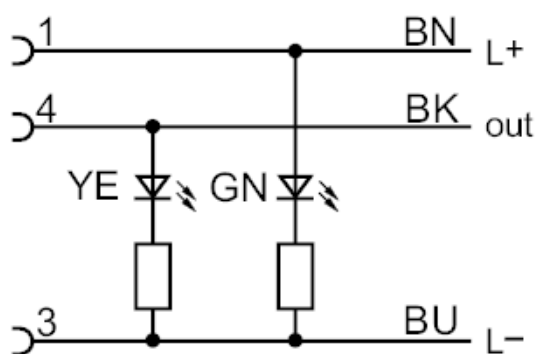


Connecting cable with socket

ADOAH042MSS0002F03



Connection



Core colours :

BN = brown
BK = black
BU = blue

Article no longer available - archive entry

replaced by: E10912