

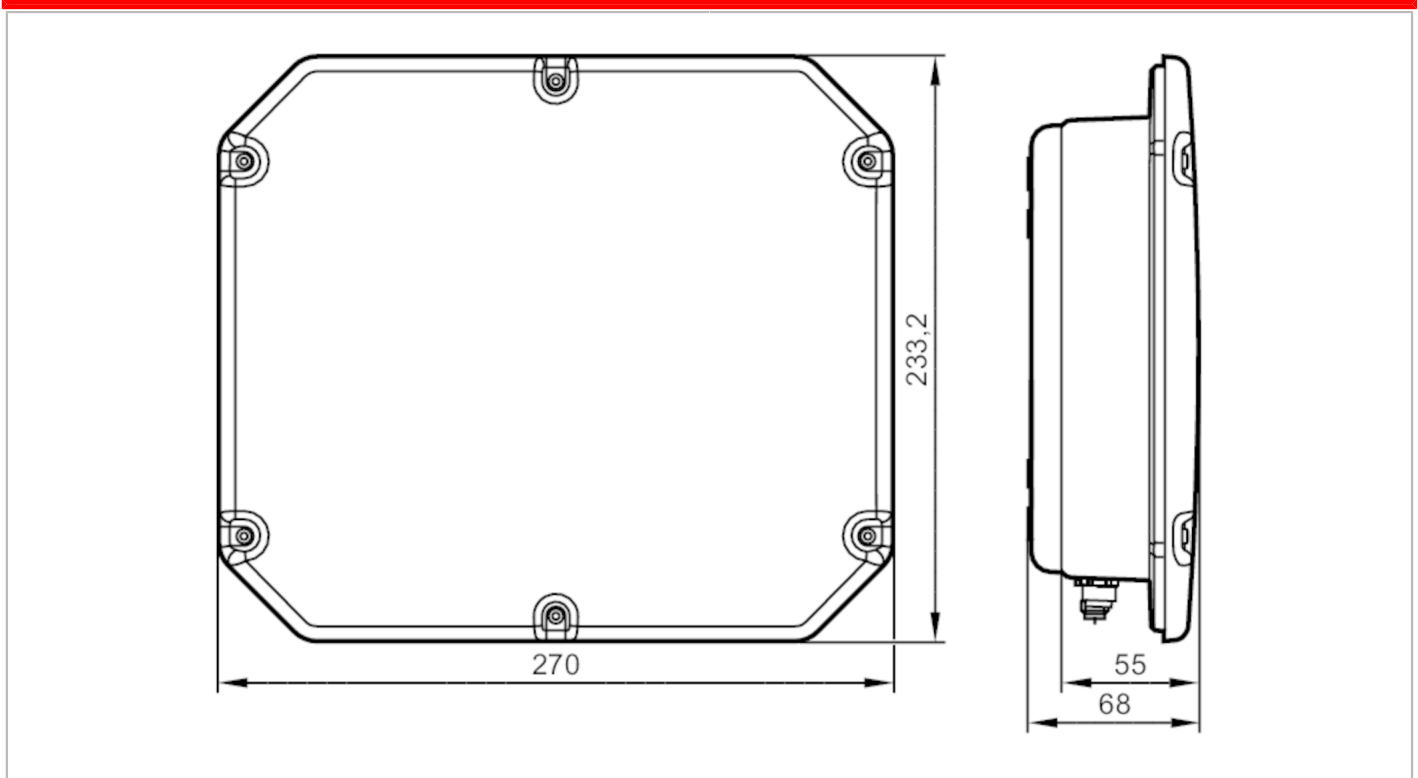
DTE810



RFID evaluation unit UHF

DTEUHF_ABRWEIUS04

Article no longer available - archive entry




Application	
Radio approval for	Europe
Electrical data	
Operating voltage [V]	24 DC
Current consumption [mA]	700
Operating frequency [MHz]	865...868 (ETSI); (India: 865...867 MHz The operating frequency is activated by importing the corresponding configuration file.)
Antenna connections	4; (TNC Reverse)
RFID standard	EPC Class1 GEN2/ISO 18000-6C
Transmission power ERP [mW]	2000
Transmission power ERP [mW]	2000
Impedance [Ω]	50
Inputs / outputs	
Number of inputs and outputs	Number of digital inputs: 4; Number of digital outputs: 4
Inputs	
Number of digital inputs	4
Outputs	
Number of digital outputs	4
Max. current load per output [mA]	500
Software / programming	
Parameter setting options	Software

DTE810



RFID evaluation unit UHF

DTEUHFE_ABRWEIUS04

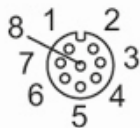
Interfaces		
Communication interface		Ethernet
Ethernet		
Protocol		TCP/IP; IP
Operating conditions		
Ambient temperature	[°C]	-25...55
Storage temperature	[°C]	-25...85
Protection		IP 65
Mechanical data		
Weight	[g]	3056
Housing		rectangular
Dimensions	[mm]	233.5 x 270 x 68
Materials		housing: aluminium; Protective cover: plastics; TNC socket: brass / PTFE; connector: brass / plastic
Displays / operating elements		
Display	operation	1 x LED, red/green
Remarks		
Pack quantity		1 pcs.
Electrical connection - Ethernet		
1	TD+	
2	RD+	
3	TD-	
4	RD-	
Connector: 1 x M12		
		
Electrical connection - Process connection		
1	switching output CMN	
2	switching input 3 / switching input 0	
3	switching input CMN	
4	0 V	
5	U+	
6	switching output 3 / switching output 1	
7	switching output 2 / switching output 0	
8	switching input 2 / switching input 1	
Connector: 1 x M12		

DTE810



RFID evaluation unit UHF

DTEUHF_ABRWEIUS04



Electrical connection - supply

1	U+
2	n.c.
3	0 V
4	n.c.

Connector: 1 x M12



Article no longer available - archive entry