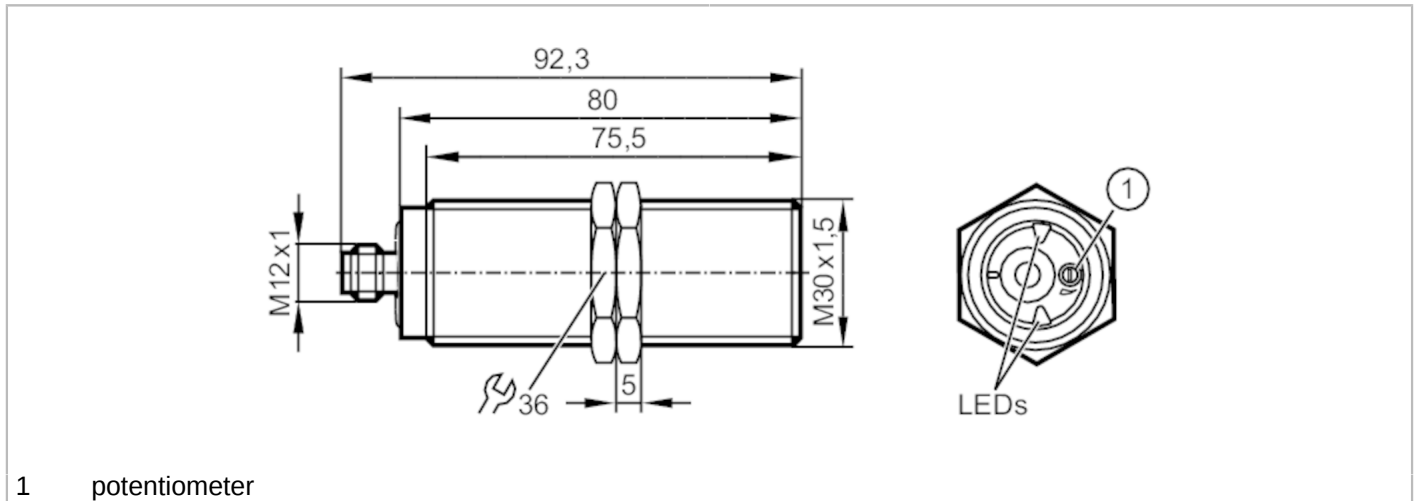


# DI5024



## Compact evaluation unit for speed monitoring

DIA3010-WRKG/IO/US



1 potentiometer




| Product characteristics                              |   |
|--|---|
| Electrical design                                    | PNP/NPN   |
| Output function                                      | normally open / normally closed; (parameterisable)                                    |
| Sensing range [mm]                                   | 10  |
| Communication interface                              | IO-Link   |
| Housing  | threaded type   |
| Dimensions [mm]                                      | M30 x 1.5 / L = 92.3  |
| Application  |   |
| Application  | simple evaluation of rotating and linear movement with regard to underspeed; blocking |
| Electrical data                                      |   |
| Nominal voltage DC [V]                               | 10...36   |
| Current consumption [mA]                             | < 22  |
| Protection class                                     | III   |
| Reverse polarity protection                          | yes   |
| Outputs  |   |
| Electrical design                                    | PNP/NPN   |
| Output function                                      | normally open / normally closed; (parameterisable)                                    |
| Max. voltage drop switching output DC [V]            | 2.5   |
| Permanent current rating of switching output DC [mA] | 250   |
| Short-time current rating of switching output [mA]   | 250   |
| Short-circuit proof                                  | yes   |
| Overload protection                                  | yes   |
| Detection zone                                       |   |
| Sensing range [mm]                                   | 10  |
| Sensing range adjustable                             | no  |
| Operating distance [mm]                              | 0...8.1   |

# DI5024



## Compact evaluation unit for speed monitoring

DIA3010-WRKG/IO/US

| Measuring/setting range   |                  |   |
|---|------------------|---|
| Setting range   | [Imp/min]        | 5...3600  |
| Accuracy / deviations   |                  |   |
| Correction factor   |                  | steel: 1 / stainless steel: 0.7 / brass: 0.5 / aluminium: 0.4 / copper: 0.3 |
| Hysteresis  | [% of Sr]        | 10  |
| Response times  |                  |   |
| Start-up delay  | [s]              | 0...30; (In steps of: 100 ms; Default: 15 s)                                |
| Max. damping frequency  | [Imp/min]        | 18000   |
| Software / programming  |                  |   |
| Adjustment of the switch point  |                  | Multiturn potentiometer or IO-Link  |
| Interfaces  |                  |   |
| Communication interface   |                  | IO-Link   |
| Operating conditions  |                  |   |
| Ambient temperature   | [°C]             | -25...80  |
| Storage temperature   | [°C]             | -25...80  |
| Protection  |                  | IP 65; IP 67  |
| Tests / approvals   |                  |   |
| EMC   |                  | EN 60947-5-2  |
| Shock resistance  |                  | DIN EN 60947-5-2  |
| Vibration resistance  |                  | DIN EN 60947-5-2  |
| MTTF  | [years]          | 3262  |
| Mechanical data   |                  |   |
| Weight  | [g]              | 250   |
| Housing   |                  | threaded type   |
| Mounting  |                  | flush mountable   |
| Dimensions  | [mm]             | M30 x 1.5 / L = 92.3  |
| Thread designation  |                  | M30 x 1.5   |
| Materials   |                  | brass special coating; PA; stainless steel; TPE-U                           |
| Tightening torque   | [Nm]             | 50  |
| Displays / operating elements   |                  |   |
| Display   | switching status | 1 x LED, green  |
| Accessories   |                  |   |
| Accessories (supplied)  |                  | lock nuts: 2  |
| Electrical connection   |                  |   |
| Connector: 1 x M12  |                  |   |
|  |                  |   |

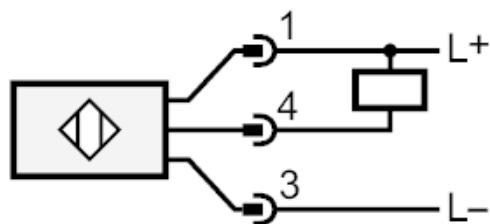
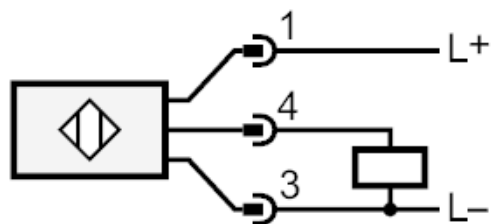
# DI5024



## Compact evaluation unit for speed monitoring

DIA3010-WRKG/IO/US

### Connection



4: OUT / IO-Link