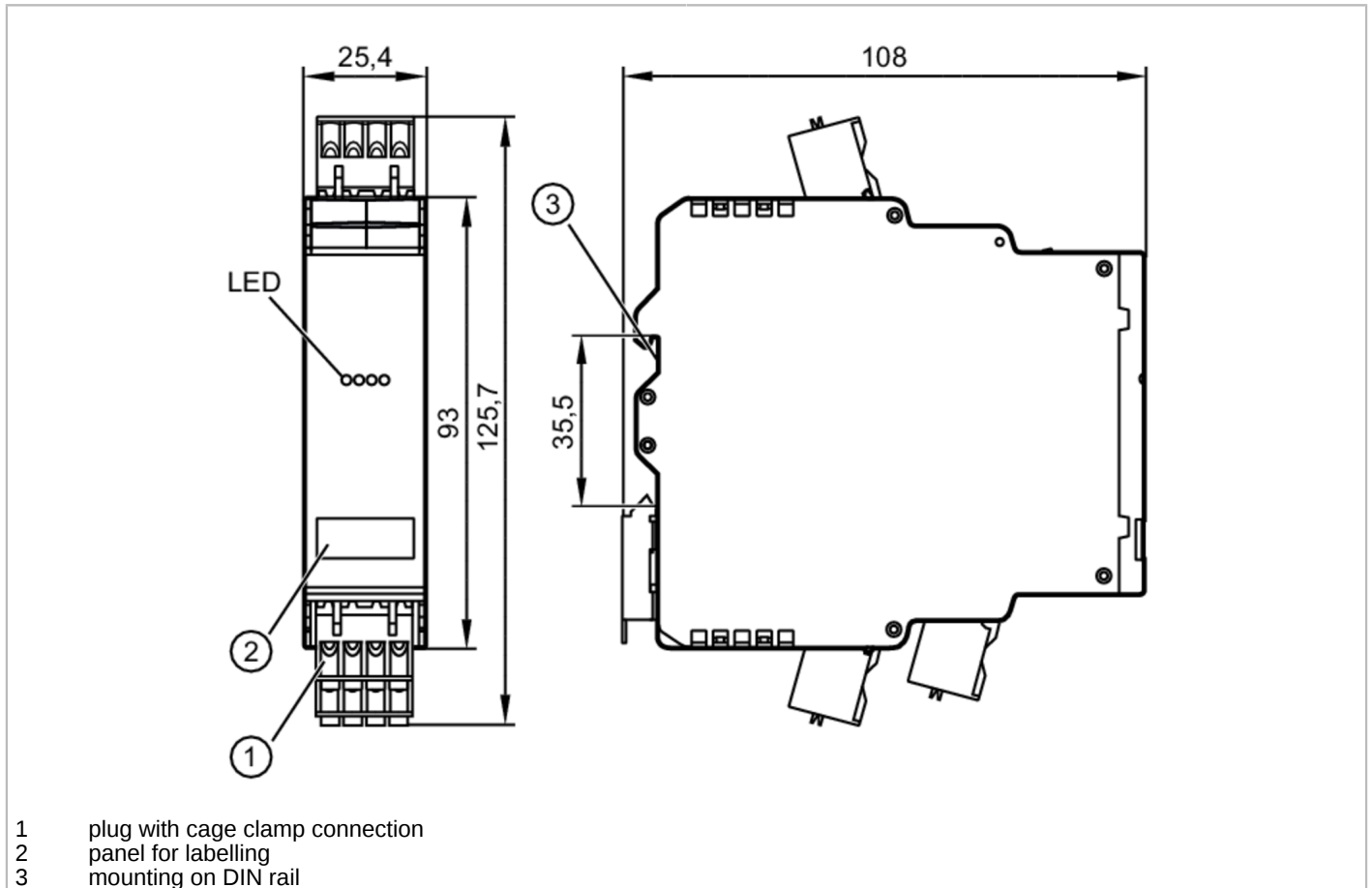


# AC3226



## AS-Interface repeater

SmartL25 AS-i Repeater III



| Application                             |  |
|---|--|
| Application                             | extension of the AS-i network by another 100 m |
| Electrical data                         |  |
| Operating voltage [V]                   | 26.5...31.6 DC                                 |
| Max. current consumption from AS-i [mA] | 60; (per AS-i line)                            |
| Outputs                                 |  |
| Electrical design                       | AS-i   |
| Electrically separated                  | yes  |
| Operating conditions                    |  |
| Ambient temperature [°C]                | -25...70                                       |
| Note on ambient temperature             | cULus: ... 65 °C                               |
| Storage temperature [°C]                | -25...75                                       |
| Max. relative air humidity [%]          | 90; (non condensing)                           |
| Max. height above sea level [m]         | 2000   |
| Protection                              | IP 20  |
| Pollution degree                        | 2  |
| Tests / approvals                       |  |
| EMC                                     | EN 62026-2                                     |

# AC3226



## AS-Interface repeater

SmartL25 AS-i Repeater III

|             |                |                              |
|-------------|----------------|------------------------------|
| UL approval | Ta             | -25...70 °C                  |
|             | Enclosure type | IP20                         |
|             | power supply   | Low Voltage / Limited Energy |
|             | File number UL | E205959                      |

### Mechanical data

|                  |     |                      |
|------------------|-----|----------------------|
| Weight           | [g] | 170                  |
| Type of mounting |     | mounting on DIN rail |
| Materials        |     | PA 6.6               |

### Displays / operating elements

|         |           |                |
|---------|-----------|----------------|
| Display | operation | 2 x LED, green |
|         | function  | LED, yellow    |

### Accessories

|                |                          |
|----------------|--------------------------|
| Items supplied | COMBICON connectors      |
|                | Link for bus termination |

### Remarks

|               |        |
|---------------|--------|
| Pack quantity | 1 pcs. |
|---------------|--------|

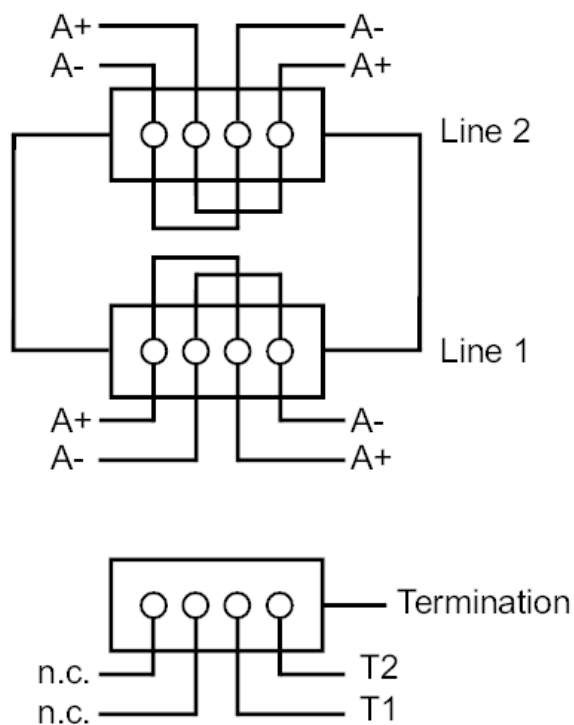


## AS-Interface repeater

SmartL25 AS-i Repeater III

### Electrical connection

#### Connection



|     |                          |
|-----|--------------------------|
|     | outgoing AS-i cable      |
| A2- | AS-i - line 2            |
| A2+ | AS-i + line 2            |
| A2- | AS-i - line 2            |
| A2+ | AS-i + line 2            |
|     | incoming AS-i cable      |
| A1+ | AS-i + line 1            |
| A1- | AS-i - line 1            |
| A1+ | AS-i + line 1            |
| A1- | AS-i - line 1            |
| T1  | Link for bus termination |
| T2  | Link for bus termination |