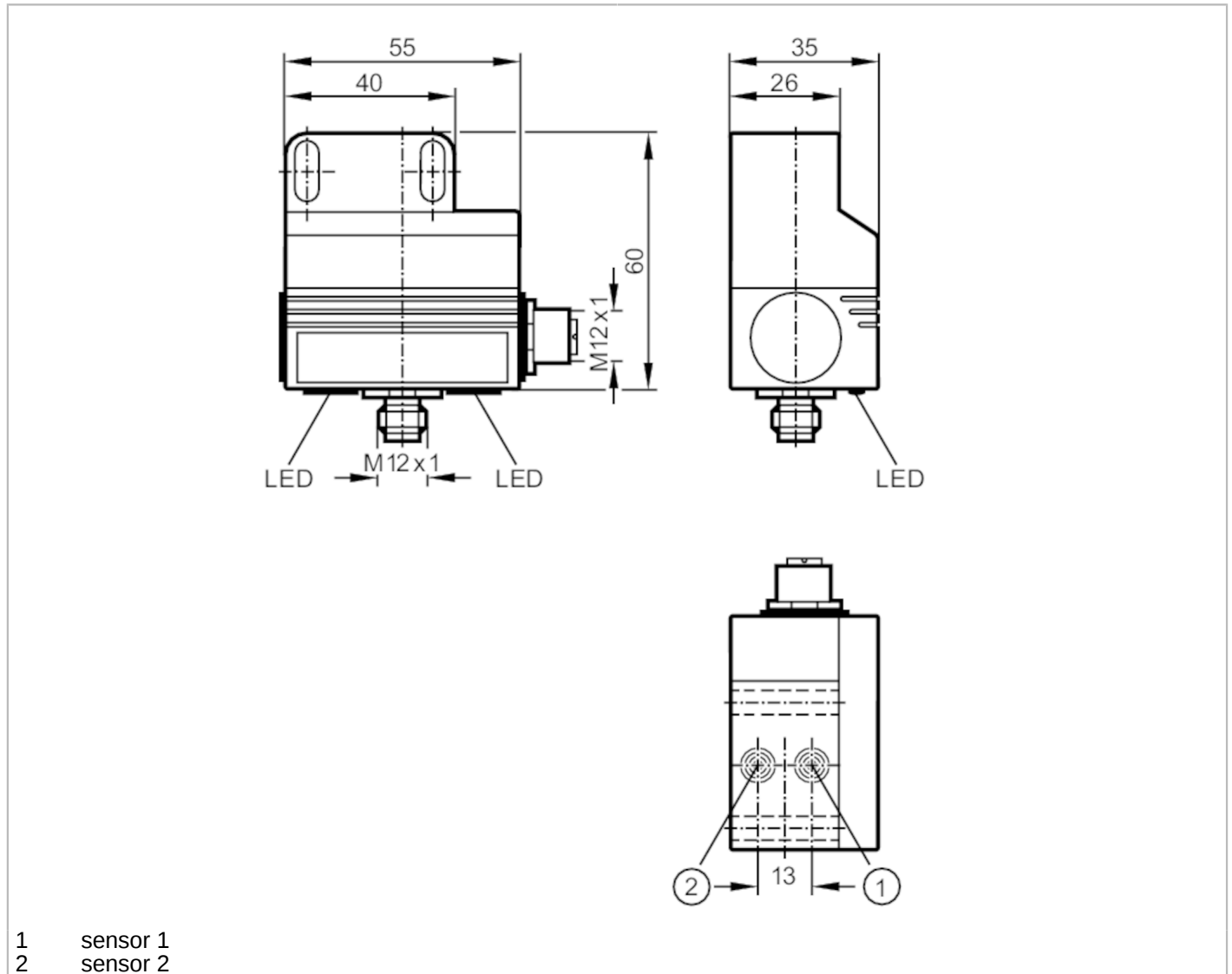


AC2310



AS-Interface dual sensor for pneumatic valve actuators

DUAL SENSOR T5 2SI 1DO T M12




Product characteristics		
Electrical design		AS-i
Sensing range	[mm]	4
Dimensions	[mm]	55 x 60 x 35
Electrical data		
Operating voltage	[V]	26.5...31.6 DC; ("supply class 2" to cULus)
Current consumption	[mA]	< 160
Outputs		
Electrical design		AS-i
Permanent current rating of switching output DC	[mA]	100
Short-circuit proof		yes
Detection zone		
Sensing range	[mm]	4

AC2310



AS-Interface dual sensor for pneumatic valve actuators

DUAL SENSOR T5 2SI 1DO T M12

Operating conditions		
Ambient temperature [°C]	-20...70	
Protection	IP 67	
Tests / approvals		
EMC	EN 50295	
	EN 61000-6-2	
MTTF [years]	394	
AS-i classification		
AS-i version	2.1	
Extended addressing mode possible	no	
AS-i I/O configuration [hex]	7	
AS-i ID code [hex]	F.F	
AS-i certificate	75003	
Mechanical data		
Weight [g]	179.5	
Mounting	non-flush mountable	
Dimensions [mm]	55 x 60 x 35	
Materials	PBT; PC; connector housing: stainless steel (1.4305 / 303)	
Displays / operating elements		
Display	operation	1 x LED, green
	function	1 x LED, yellow
	error	LED, red
Accessories		
Accessories (supplied)	Reinforcement bracket	
	socket head screws: 2 x M5 x 35	
	washers: 2	
Remarks		
Pack quantity	1 pcs.	
Electrical connection		
Electrical connection - plug		
Electrical connection		
1	AS-i +	
3	AS-i -	
Connector: 1 x M12		
		

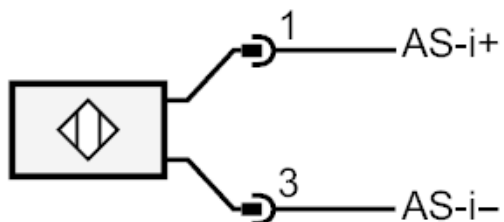
AC2310



AS-Interface dual sensor for pneumatic valve actuators

DUAL SENSOR T5 2SI 1DO T M12

Connection



Electrical connection - socket

Outputs

- 3 external voltage -
- 4 switching output 1 +

Connector: 1 x M12

