

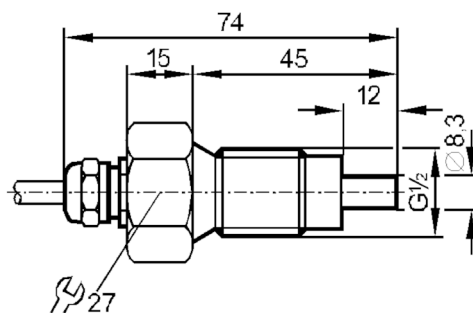
SF0711



Flow sensor for connection to an evaluation unit

SFR12AACE1

Article no longer available - archive entry



Application

Application	Ex zone 1
Medium temperature [°C]	-25...80
Pressure rating [bar]	5

Liquids

Application	Ex zone 1
Medium temperature [°C]	-25...80

Electrical data

Connection to control monitor	VS 0200 Exi
-------------------------------	-------------

Measuring/setting range

Liquids

Setting range [cm/s]	0...60
Greatest sensitivity [cm/s]	0...20

Accuracy / deviations

Temperature gradient [K/min]	7
------------------------------	---

Response times

Response time [s]	2...20
-------------------	--------

Liquids

Response time [s]	2...20
-------------------	--------

Operating conditions

Protection	IP 67
------------	-------

Mechanical data

Housing	threaded type
Materials	PTFE
Materials (wetted parts)	PTFE
Process connection	G 1/2 external thread

Remarks

Pack quantity	1 pcs.
---------------	--------

SF0711



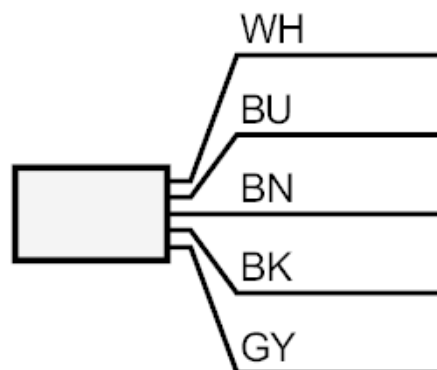
Flow sensor for connection to an evaluation unit

SFR12AACE1

Electrical connection

Cable: 2 m, TPE-S; Maximum cable length: 100 m; 5 x 0.34 mm²

Connection



Core colours :

BN =	brown
BU =	blue
BK =	black
WH =	white
GY =	grey

Article no longer available - archive entry