

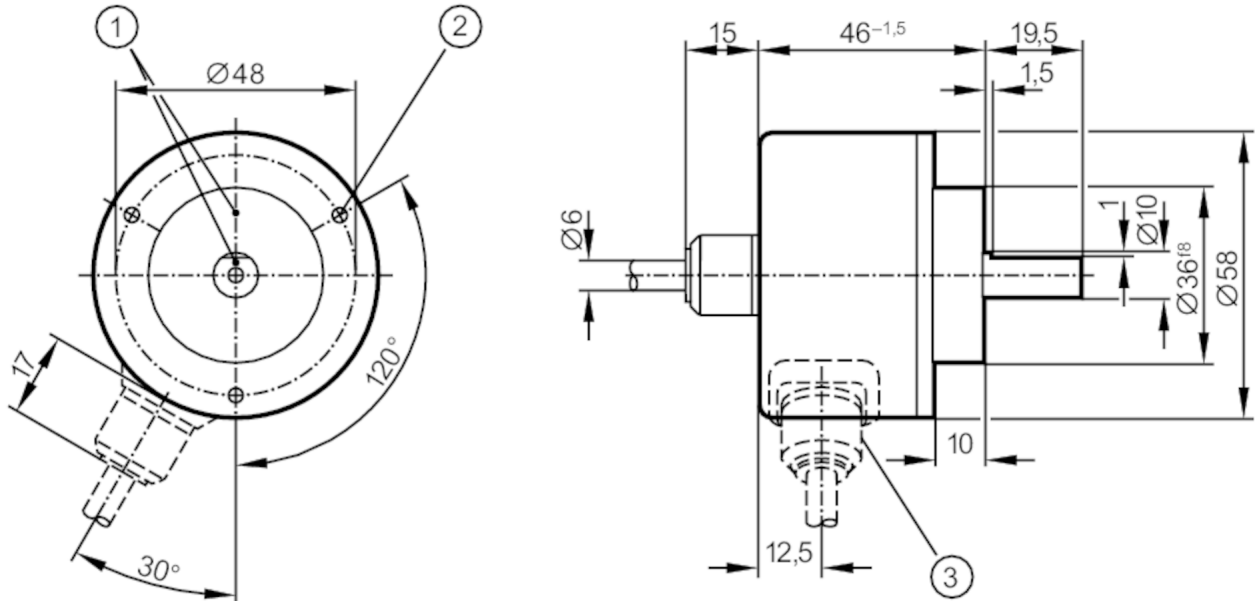
RV1064



Incremental encoder with solid shaft

RV-4096-I05/L2

Article no longer available - archive entry



- 1 reference mark
- 2 M3 Depth 5 mm



Electrical data

| | | |
|-----------------------------|------|------|
| Operating voltage tolerance | [%] | 10 |
| Operating voltage | [V] | 5 DC |
| Current consumption | [mA] | 150 |

Outputs

| | | |
|------------------------------|-------|-----|
| Electrical design | | TTL |
| Max. current load per output | [mA] | 20 |
| Switching frequency | [kHz] | 300 |
| Phase difference A and B | [°] | 90 |

Measuring/setting range

| | | |
|------------|--|-----------------|
| Resolution | | 4096 resolution |
|------------|--|-----------------|

Operating conditions

| | | |
|-----------------------------|------|-------------------------------|
| Ambient temperature | [°C] | -30...100 |
| Note on ambient temperature | | for firmly laid cable: -30 °C |
| Storage temperature | [°C] | -30...100 |
| Max. relative air humidity | [%] | 98 |
| Protection | | IP 64 |

Tests / approvals

| | | |
|----------------------|--|---------------------|
| Shock resistance | | 100 g (6 ms) |
| Vibration resistance | | 10 g (55...2000 Hz) |

RV1064



Incremental encoder with solid shaft

RV-4096-I05/L2

| Mechanical data | | |
|---|---------|----------------|
| Dimensions | [mm] | Ø 58 / L = 46 |
| Materials | | aluminium |
| Max. revolution, mechanical | [U/min] | 12000 |
| Max. starting torque | [Nm] | 1 |
| Reference temperature torque | [°C] | 20 |
| Shaft design | | solid shaft |
| Shaft diameter | [mm] | 10 |
| Shaft material | | steel (1.4104) |
| Max. shaft load axial (at the shaft end) | [N] | 10 |
| Max. shaft load radial (at the shaft end) | [N] | 20 |

| Electrical connection | |
|------------------------|------------------|
| Cable: 2 m, PUR; axial | |
| brown | A |
| green | A inverted |
| grey | B |
| pink | B inverted |
| red | 0 index |
| black | 0 index inverted |
| blue | L+ sensor |
| white | 0V sensor |
| brown/green | L+ (Up) |
| white/green | 0V (Un) |
| lilac | failure inverted |
| screen | housing |

| Diagrams and graphs | |
|---------------------|--|
| Pulse diagram | <p>Output A Output B 0 index</p> |

Article no longer available - archive entry