

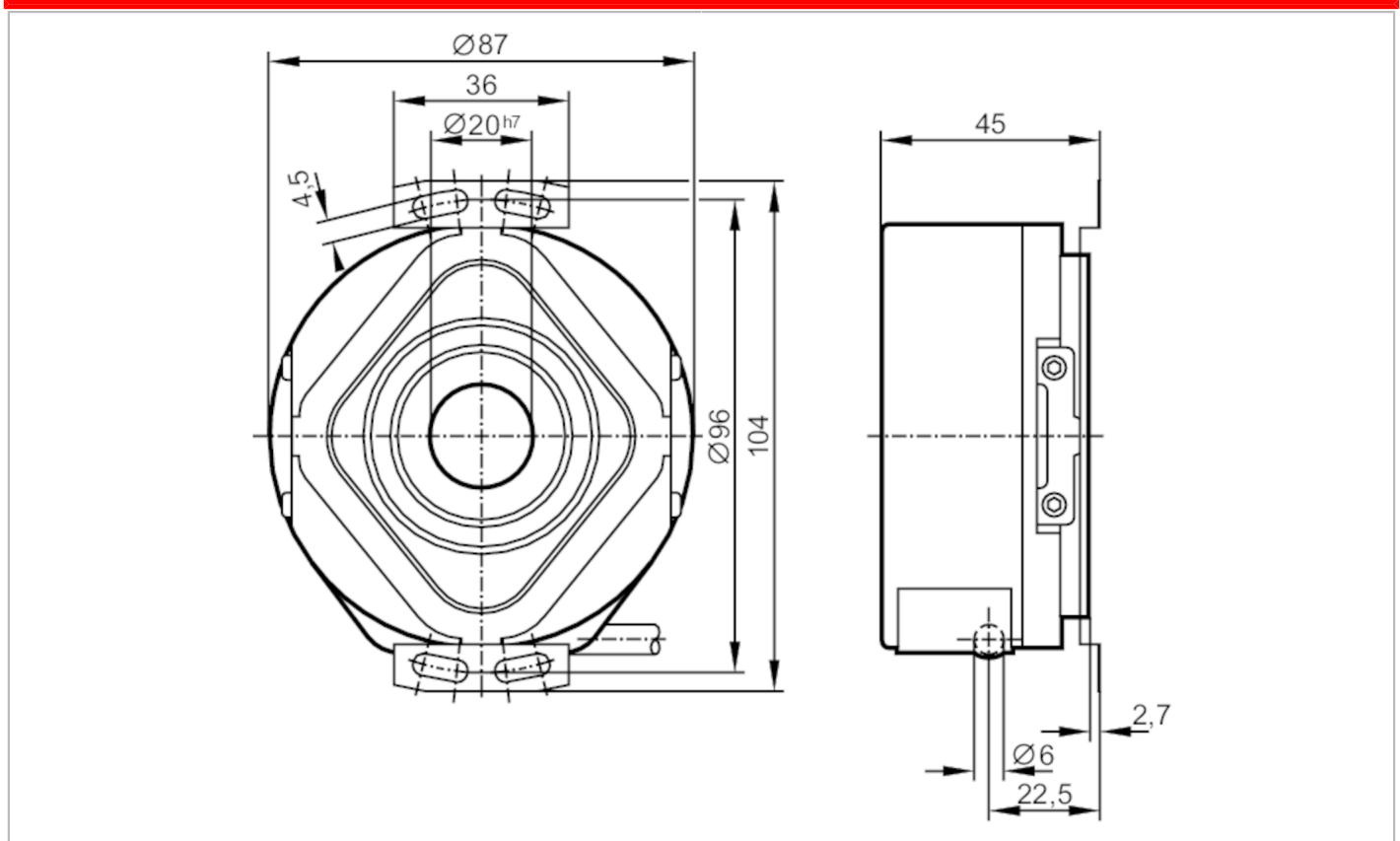
# RP1315

## Incremental encoder with hollow shaft

RP-2500-I05/N10



Article no longer available - archive entry



### Electrical data

Operating voltage tolerance	[%]	10
Operating voltage	[V]	5 DC
Current consumption	[mA]	< 150

### Outputs

Electrical design		TTL
Max. current load per output	[mA]	20
Switching frequency	[kHz]	300
Phase difference A and B	[°]	90

### Measuring/setting range

Resolution	2500 resolution
------------	-----------------

### Operating conditions

Ambient temperature	[°C]	-30...60
Note on ambient temperature		higher temperature upon request for the diagram see the installation instructions
Storage temperature	[°C]	-30...100
Max. relative air humidity	[%]	98
Protection		IP 64

# RP1315



## Incremental encoder with hollow shaft

RP-2500-I05/N10

### Tests / approvals

Shock resistance		100 g (6 ms)
Vibration resistance	EN 60068-2-6	200 g (50...2000 Hz)

### Mechanical data

Dimensions [mm]	Ø 87 / L = 45
Materials	aluminium
Max. revolution, mechanical [U/min]	6000
Max. starting torque [Nm]	10
Reference temperature torque [°C]	20
Shaft design	continuous hollow shaft
Shaft diameter [mm]	20
Shaft fit	H7
Shaft material	steel (1.4104)
Installation depth of shaft [mm]	10
Max. axial shaft misalignment [mm]	1,5

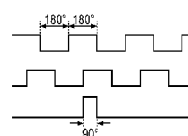
### Electrical connection

Cable: 1 m, PUR; radial

brown	A
green	A inverted
grey	B
pink	B inverted
red	0 index
black	0 index inverted
blue	L+ sensor
white	0V sensor
brown/green	L+ (Up)
white/green	0V (Un)
lilac	failure inverted
screen	housing

### Diagrams and graphs

Pulse diagram



Output A

Output B

0 index

Article no longer available - archive entry