

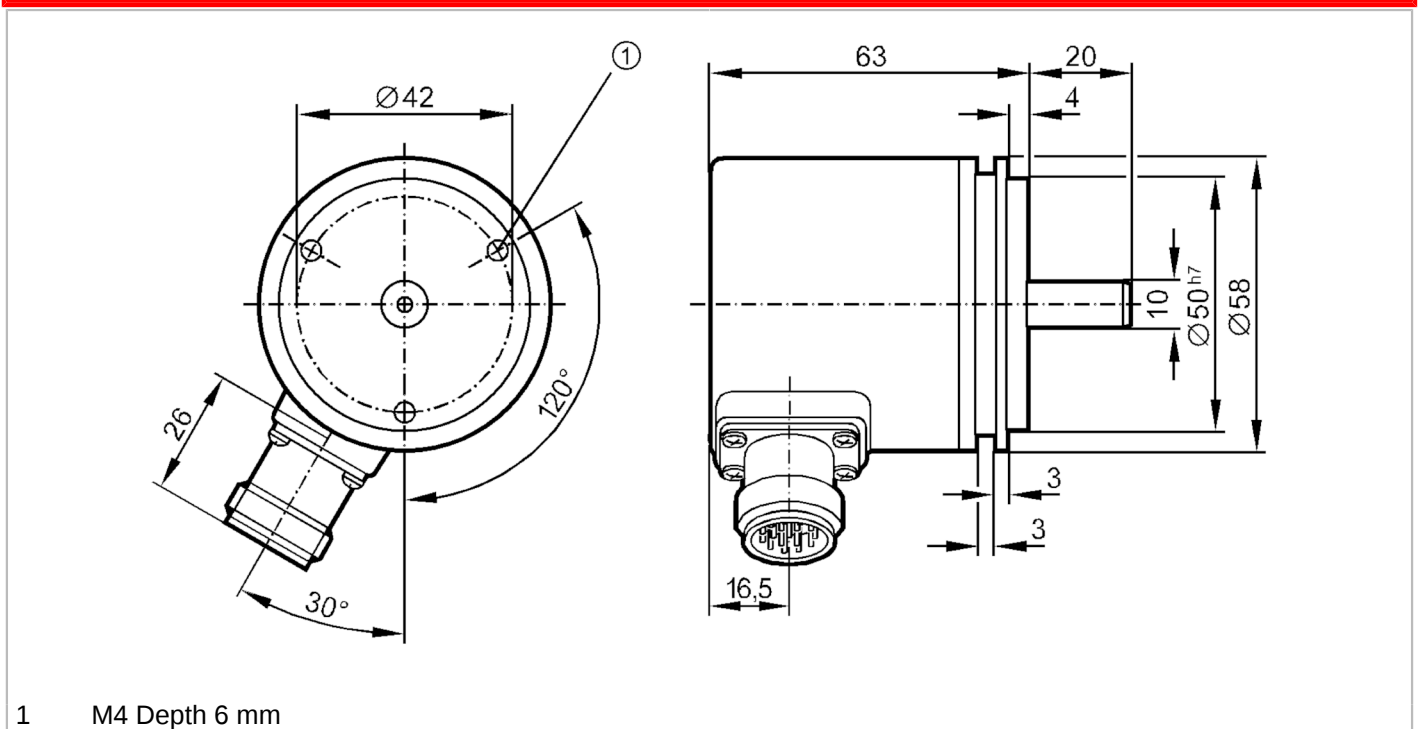
RM6106



Absolute multiturn encoder with solid shaft

RM-8192-S24/K B

Article no longer available - archive entry



1 M4 Depth 6 mm



Product characteristics	
Resolution	8192 steps; 4096 revolutions; 25 bit
Communication interface	SSI data interface
Shaft design	solid shaft
Shaft diameter [mm]	10
Electrical data	
Operating voltage [V]	10...30 DC
Current consumption [mA]	< 200
Max. revolution electrical [U/min]	6000
Outputs	
Code	Gray code; (increasing code values when turned clockwise (seen on the shaft))
Code signal	data input; TTL-compatible signals; clock and clock (inv.) from drivers to RS 485; data output; synchronous serial; TTL-compatible signals, data, and data (inv.); incremental signals; 2 sinusoidal incremental signals (A and B) ; phase shifted by 90°; 1 Vss 512 signal periods per revolution
Measuring/setting range	
Resolution	8192 steps; 4096 revolutions; 25 bit
Interfaces	
Communication interface	SSI data interface
Operating conditions	
Ambient temperature [°C]	-20...85
Storage temperature [°C]	-30...80
Protection	IP 64

RM6106



Absolute multiturn encoder with solid shaft

RM-8192-S24/K B

Tests / approvals

Shock resistance		100 g (6 ms)
Vibration resistance		10 g (55...2000 Hz)

Mechanical data

Materials		aluminium
Max. revolution, mechanical [U/min]		12000
Max. starting torque [Nm]		1
Reference temperature torque [°C]		20
Shaft design		solid shaft
Shaft diameter [mm]		10
Shaft material		steel (1.4104)
Max. shaft load axial (at the shaft end) [N]		10
Max. shaft load radial (at the shaft end) [N]		20

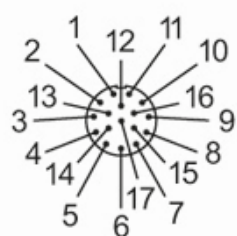
Remarks

Remarks	Wires/pins not connected (n.c.) must not be used.
---------	---

Electrical connection

1	n.c.
2	n.c.
3	n.c.
4	n.c.
5	n.c.
6	n.c.
7	L+ Up
8	clock
9	clock inverted
10	0v Un
11	housing
12	B (+)
13	B (-)
14	data
15	A (+)
16	A (-)
17	data inverted

Connector: 1 x M23 (ifm 1001.11), radial; Maximum cable length: 100 m



RM6106

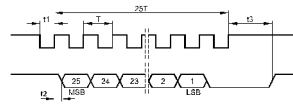


Absolute multiturn encoder with solid shaft

RM-8192-S24/K B

Diagrams and graphs

Pulse diagram



clock

data

Article no longer available - archive entry