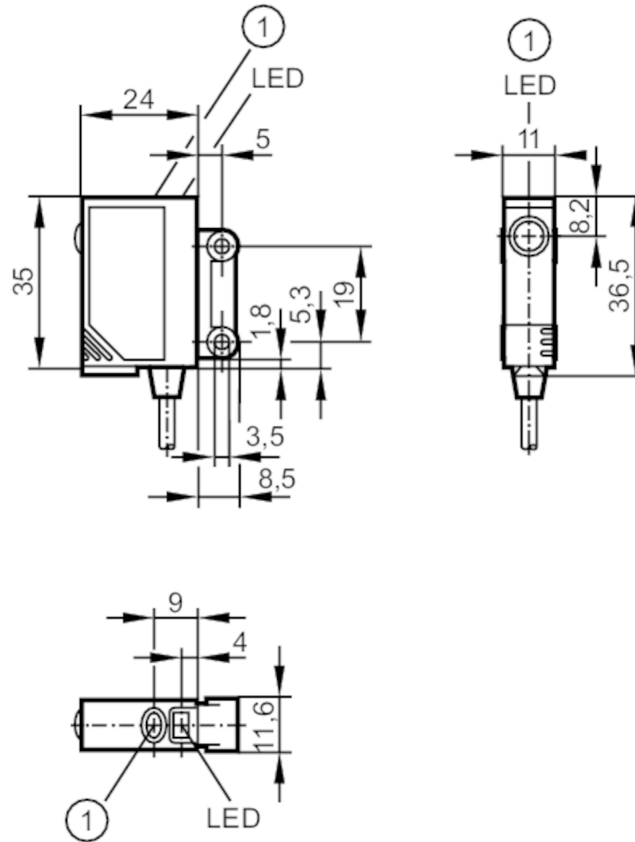




Through-beam sensor transmitter

OJS-00KG/SO

Article no longer available - archive entry



1 pushbutton without function

Application

Function principle Through-beam sensor

Electrical data

Operating voltage [V]	10...30 DC
Current consumption [mA]	< 19
Protection class	II
Reverse polarity protection	yes
Type of light	red light
Wave length [nm]	660

Outputs

Short-circuit protection	yes
Type of short-circuit protection	pulsed
Overload protection	yes

Detection zone

Transmitter / receiver	transmitter
Range [m]	< 10
Max. light spot diameter [mm]	1000
Light spot dimensions refer to	at maximum range

OJ5133



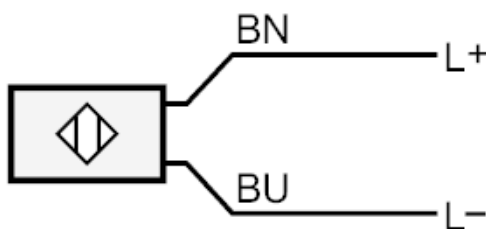
Through-beam sensor transmitter

OJS-00KG/SO

Operating conditions		
Ambient temperature	[°C]	-25...60
Protection		IP 67
Tests / approvals		
EMC		EN 60947-5-2
Mechanical data		
Housing		rectangular
Dimensions	[mm]	35 x 11 x 24
Materials		housing: ABS; LED window: SEPS; pushbutton: SEPS
Lens material		glass
Lens alignment		side lens
Displays / operating elements		
Display	operation	1 x LED, green
Accessories		
Accessories (supplied)		screws: 2 x spring washers: 2 x Nuts: 2 x
Remarks		
Remarks		operating voltage "supply class 2" according to cULus
Pack quantity		1 pcs.

Electrical connection
Cable: 2 m, PVC; 4 x 0.14 mm²

Connection



Core colours :
BN = brown
BU = blue

Article no longer available - archive entry