



Article no longer available - archive entry

# No scale drawing available

## Product characteristics

Type of light	red light
Housing	rectangular
Dimensions [mm]	49 x 15 x 42

## Application

Function principle	Retro-reflective sensor
--------------------	-------------------------

## Electrical data

Operating voltage [V]	10...30 DC
Current consumption [mA]	< 80
Protection class	II
Reverse polarity protection	yes
Type of light	red light
Wave length [nm]	660

## Outputs

Electrical design	NPN
Output function	light-on mode
Max. voltage drop switching output DC [V]	2
Max. current load for function check output [mA]	100
Permanent current rating of switching output DC [mA]	100
Switching frequency DC [Hz]	1000
Short-circuit protection	yes
Type of short-circuit protection	pulsed
Overload protection	yes

# OC5231

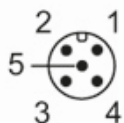


## Retro-reflective sensor

OCPGHNKG/US-100

Detection zone		
Range	[m]	< 1.5; (Prismatic reflector Ø 80 E20005)
Range adjustable		yes
Max. light spot height	[mm]	13
Light spot dimensions refer to		Range
Response times		
Response time	[s]	0.5
Operating conditions		
Ambient temperature	[°C]	-10...55
Protection		IP 67
Tests / approvals		
EMC		EN 60947-5-2
Mechanical data		
Housing		rectangular
Dimensions	[mm]	49 x 15 x 42
Materials		diecast zinc
Lens material		PMMA
Displays / operating elements		
Display	switching status	1 x LED, yellow
Accessories		
Accessories (supplied)		screwdrivers
Remarks		
Pack quantity		1 pcs.
Electrical connection		

Connector: 1 x M12

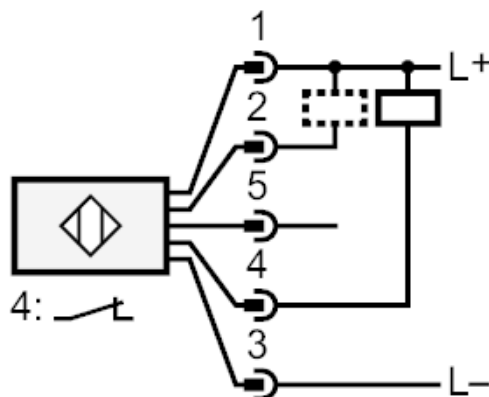




## Retro-reflective sensor

OCPGHNKG/US-100

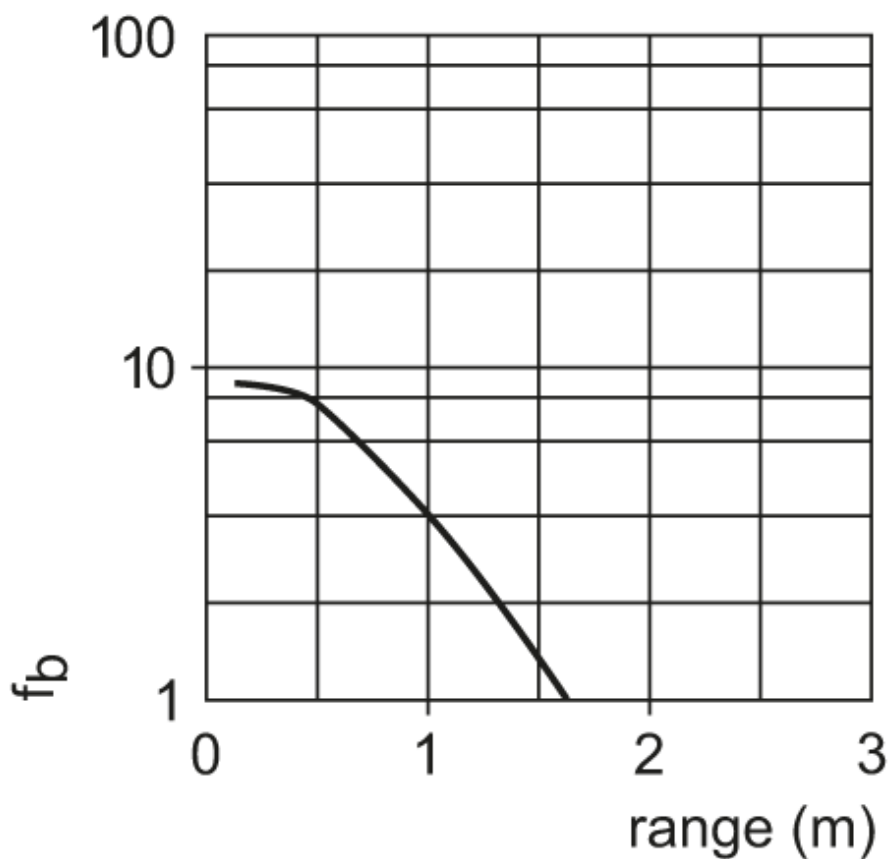
### Connection



- 2                      Function check output
- 5                      Eingang "External Teach"

### Diagrams and graphs

excess gain graph



Article no longer available - archive entry