

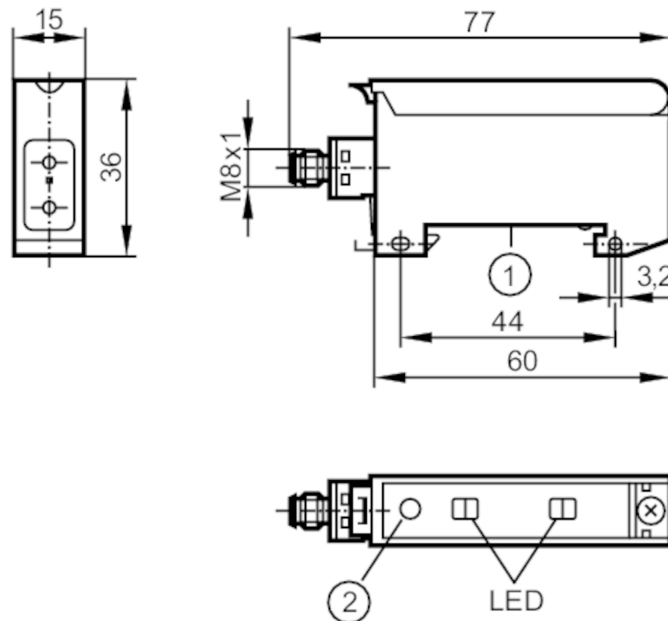
OB5031



Fibre-optic amplifier

OBF-FPKG/AS

Article no longer available - archive entry



- 1 mounting on DIN rail
- 2 setting pushbuttons

Product characteristics

Type of light	red light
Housing	rectangular
Dimensions [mm]	36 x 15 x 60

Application

Design	for fibre optics with metal sheath FE/FT-50
--------	---

Electrical data

Operating voltage [V]	10...30 DC
Current consumption [mA]	< 35
Protection class	III
Reverse polarity protection	yes
Type of light	red light
Wave length [nm]	660

Outputs

Electrical design	PNP
Output function	light-on/dark-on mode; (parameterisable)
Max. voltage drop switching output DC [V]	2.5
Permanent current rating of switching output DC [mA]	100
Switching frequency DC [Hz]	500
Short-circuit protection	yes
Type of short-circuit protection	pulsed
Overload protection	yes

OB5031



Fibre-optic amplifier

OBF-FPKG/AS

Detection zone		
Range	[m]	0...1; (Through-beam sensor)
Range	[mm]	0...150; (Diffuse reflection sensor)
Range adjustable		yes
Operating conditions		
Ambient temperature	[°C]	-25...60
Protection		IP 65
Tests / approvals		
EMC		EN 60947-5-2
MTTF	[years]	515
Mechanical data		
Housing		rectangular
Dimensions	[mm]	36 x 15 x 60
Materials		ABS
Lens material		PMMA
Displays / operating elements		
Display	switching status	1 x LED, yellow
	operation	1 x LED, green
	unsafe zone	1 x LED, red
Remarks		
Remarks	light-on mode corresponds to the NC output function for through-beam fibre optics	
	corresponds to the NO output function for diffuse-reflection fibre optics	
Remarks	dark-on mode corresponds to the NO output function for through-beam fibre optics	
	corresponds to the NC output function for diffuse-reflection fibre optics	
Pack quantity		1 pcs.
Electrical connection		
Connector: 1 x M8		

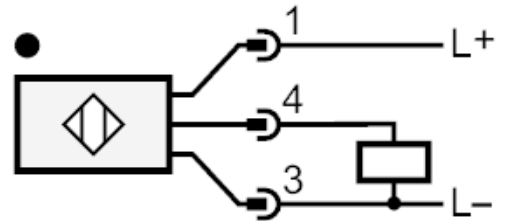
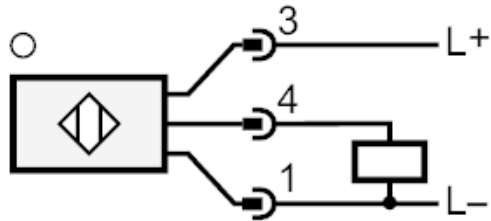
OB5031



Fibre-optic amplifier

OBF-FPKG/AS

Connection



Article no longer available - archive entry