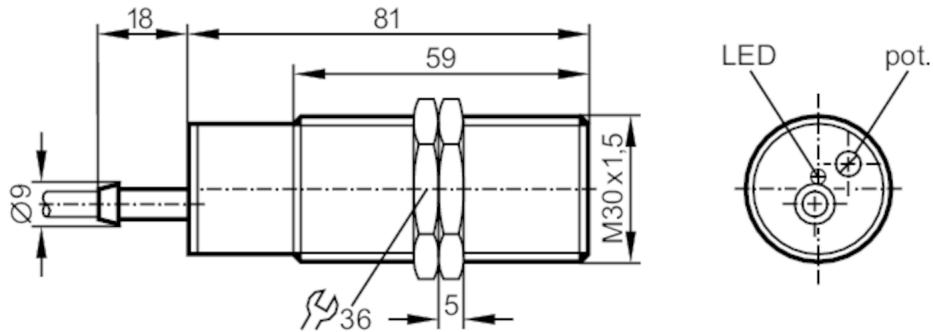




Capacitive sensor

KI-2015-BBOA/6M/CSA RT

Article no longer available - archive entry



Electrical data

Operating voltage [V]	20...250 AC/DC
Protection class	II
Reverse polarity protection	no

Outputs

Output function	normally closed
Max. voltage drop switching output DC [V]	6
Max. voltage drop switching output AC [V]	6
Minimum load current [mA]	4
Max. leakage current [mA]	2.5 (250 V AC) / 1.7 (110 V AC) / 1.5 (24 V DC)
Permanent current rating of switching output AC [mA]	250; (350 (...50 °C))
Permanent current rating of switching output DC [mA]	100
Short-time current rating of switching output [mA]	2100; (50 ms / 1 Hz)
Switching frequency AC [Hz]	25
Switching frequency DC [Hz]	40
Short-circuit proof	no
Overload protection	no

Detection zone

Sensing range [mm]	15
Sensing range adjustable	yes
Factory setting sensing range [mm]	15
Real sensing range S_r [mm]	$15 \pm 10 \%$
Operating distance [mm]	0...12.1

Accuracy / deviations

Correction factor	glass: 0.4 / water: 1 / ceramics: 0.2 / PVC: 0.2
Hysteresis [% of S_r]	1...15
Switch point drift [% of S_r]	-15...15

KI0039



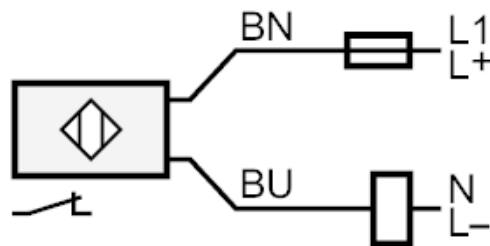
Capacitive sensor

KI-2015-BBOA/6M/CSA RT

Operating conditions		
Ambient temperature	[°C]	-25...80
Protection		IP 65
Tests / approvals		
EMC		EN 60947-5-2
Mechanical data		
Housing		threaded type
Mounting		non-flush mountable
Dimensions	[mm]	M30 x 1.5 / L = 81
Thread designation		M30 x 1.5
Materials		PBT
Displays / operating elements		
Display	switching status	1 x LED, red
Electrical connection		
Required protection		miniature fuse to IEC60127-2 sheet 1; ≤ 2 A; fast acting
Accessories		
Accessories (supplied)		lock nuts: 2 screwdriver: 1
Remarks		
Remarks		Recommendation: Check the safe functioning of the unit after a short circuit.
Pack quantity		1 pcs.

Electrical connection
Cable: 6 m, PVC; 2 x 0.5 mm ²

Connection



Note miniature fuse to IEC60127-2 sheet 1 ≤ 2 A fast acting

Core colours :

BN = brown
BU = blue

Article no longer available - archive entry