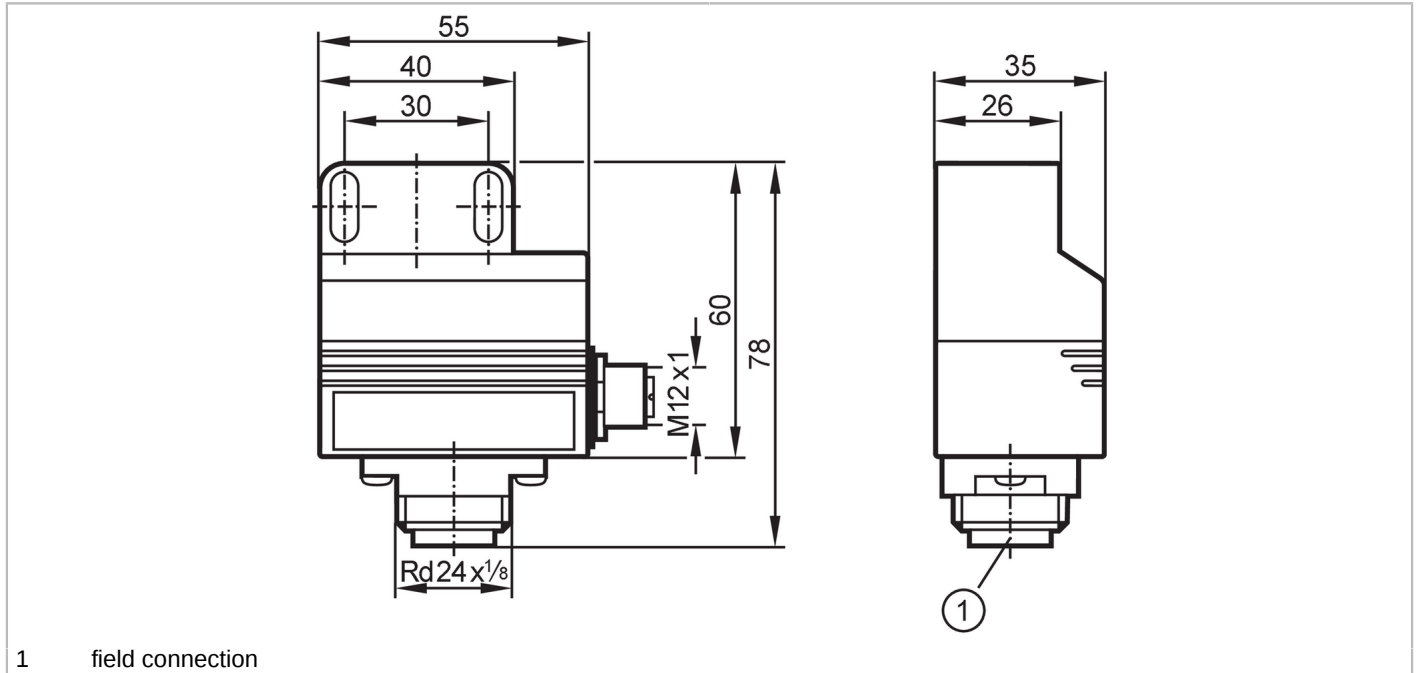


IN5334



Dual inductive sensor for valve actuators

IND3004DBPKG/T2



1 field connection



Product characteristics

Electrical design		PNP
Output function		2 x normally open
Sensing range	[mm]	4
Housing		rectangular
Dimensions	[mm]	40 x 26 x 60

Application

Application	position sensor for valve actuators; actuator control; for actuators using standard ISO 5211 (VDI/DE) mounting
-------------	-----------------------------------------------------------------------------------------------------------------

Electrical data

Operating voltage	[V]	10...36 DC
Current consumption	[mA]	20; (36 V)
Protection class		III
Reverse polarity protection		yes

Outputs

Electrical design		PNP
Output function		2 x normally open
Max. voltage drop switching output DC	[V]	2.5
Permanent current rating of switching output DC	[mA]	250
Switching frequency DC	[Hz]	1300
Short-circuit protection		yes
Type of short-circuit protection		pulsed
Overload protection		yes

IN5334



Dual inductive sensor for valve actuators

IND3004DBPKG/T2

Detection zone		
Sensing range [mm]	4	
Real sensing range Sr [mm]	4 ± 10 %	
Operating distance [mm]	0...3.25	
Accuracy / deviations		
Correction factor	steel: 1 / stainless steel: 0.7 / brass: 0.5 / aluminium: 0.4 / copper: 0.3	
Hysteresis [% of Sr]	3...15	
Switch point drift [% of Sr]	-10...10	
Operating conditions		
Ambient temperature [°C]	-25...80	
Protection	IP 67	
Tests / approvals		
EMC	EN 60947-5-2	
	EN 55011	class B
MTTF [years]	1296	
UL approval	Ta	0...40 °C
	Enclosure type	Type 1
	File number UL	E174191
Mechanical data		
Weight [g]	171	
Housing	rectangular	
Mounting	non-flush mountable	
Dimensions [mm]	40 x 26 x 60	
Materials	PBT; PC	
Displays / operating elements		
Display	switching status	2 x LED, yellow
Accessories		
Items supplied	Reinforcement bracket: 1 x (39,5 x 17,5 x 1 mm)	
	socket head screws: 2 x (M5 x 35 mm)	
	washers: 2	
Remarks		
Remarks	Suitable valves: valves according to NAMUR interface up to max. 20 W	
Pack quantity	1 pcs.	
Electrical connection - plug		
Connector: 1 x Rd24; coding: A		

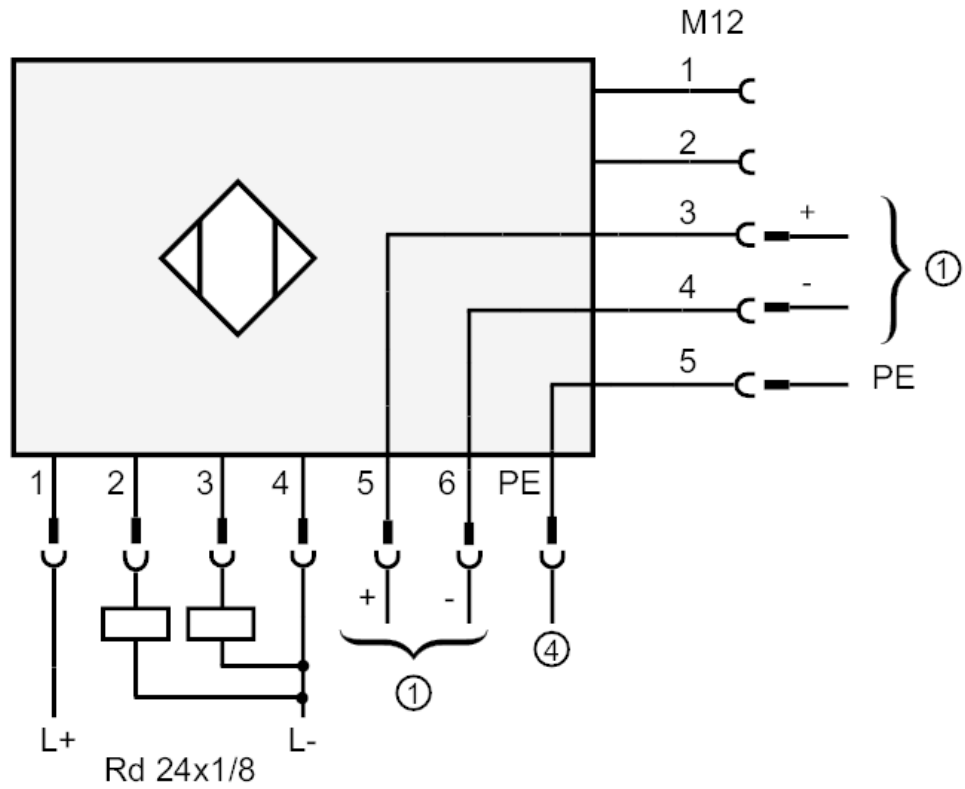
IN5334



Dual inductive sensor for valve actuators

IND3004DBPKG/T2

Connection



1 = solenoid valve 24 V DC / 20 W

Electrical connection - socket

Connector: 1 x M12; coding: A

