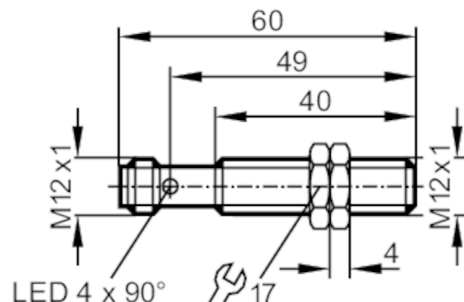




Inductive sensor

IFK2004BFRKG/M/2LED/US-104-IRF



Product characteristics

| | |
|--------------------|---|
| Electrical design | PNP/NPN |
| Output function | normally open / normally closed; (selectable) |
| Sensing range [mm] | 4 |
| Housing | threaded type |
| Dimensions [mm] | M12 x 1 / L = 60 |

Application

| | |
|-----------------|--|
| Special feature | Gold-plated contacts; Increased sensing range; Optical setting aid |
| Application | Use in machine tools, coolants and lubricants |

Electrical data

| | |
|-----------------------------|------------|
| Operating voltage [V] | 10...36 DC |
| Protection class | II |
| Reverse polarity protection | yes |

Outputs

| | |
|--|---|
| Electrical design | PNP/NPN |
| Output function | normally open / normally closed; (selectable) |
| Max. voltage drop switching output DC [V] | 4.6 |
| Minimum load current [mA] | 4 |
| Max. leakage current [mA] | 1 |
| Permanent current rating of switching output DC [mA] | 100 |
| Switching frequency DC [Hz] | 700 |
| Short-circuit protection | yes |
| Type of short-circuit protection | pulsed |
| Overload protection | yes |

Detection zone

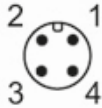
| | |
|-------------------------|----------|
| Sensing range [mm] | 4 |
| Operating distance [mm] | 0...3.25 |
| Increased sensing range | yes |

IFC234



Inductive sensor

IFK2004BFRKG/M/2LED/US-104-IRF

| Accuracy / deviations | | |
|---|---|---------------------|
| Correction factor | steel: 1 / stainless steel: 0.7 / brass: 0.5 / aluminium: 0.5 / copper: 0.4 | |
| Hysteresis | [% of Sr] | 1...20 |
| Operating conditions | | |
| Ambient temperature | [°C] | -25...70 |
| Protection | IP 68; ("Coolant") | |
| Tests / approvals | | |
| EMC | EN 61000-4-2 ESD | 4 kV CD / 8 kV AD |
| | EN 61000-4-3 HF radiated | 10 V/m |
| | EN 61000-4-4 Burst | 2 kV |
| | EN 61000-4-6 HF conducted | 10 V |
| | EN 55011 | class B |
| MTTF | [years] | 1320 |
| Mechanical data | | |
| Weight | [g] | 28.8 |
| Housing | threaded type | |
| Mounting | flush mountable | |
| Dimensions | [mm] | M12 x 1 / L = 60 |
| Thread designation | M12 x 1 | |
| Materials | housing: brass white bronze coated; sensing face: LCP uncoloured | |
| Displays / operating elements | | |
| Display | switching status | 4 x 90° LED, yellow |
| | setting aid | 1 x LED, red |
| Optical setting aid | yes | |
| Accessories | | |
| Accessories (supplied) | lock nuts: 2 | |
| Remarks | | |
| Pack quantity | 1 pcs. | |
| Electrical connection - plug | | |
| Connector: 1 x M12; Contacts: gold-plated | | |
|  | | |

IFC234



Inductive sensor

IFK2004BFRKG/M/2LED/US-104-IRF

