

IF5006

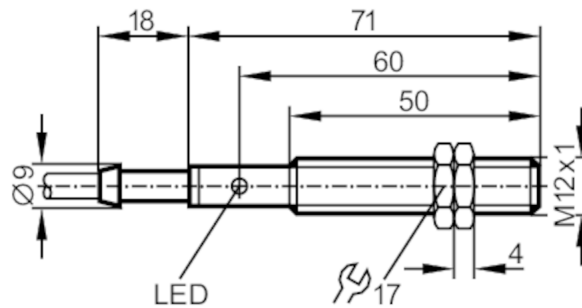


Inductive sensor

IF-3004-APOG

Article no longer available - archive entry

replaced by: IF5349



Electrical data

Operating voltage [V]	10...55 DC
Current consumption [mA]	7; (24 V)
Protection class	II
Reverse polarity protection	no

Outputs

Electrical design	PNP
Output function	normally closed
Max. voltage drop switching output DC [V]	1
Permanent current rating of switching output DC [mA]	400
Switching frequency DC [Hz]	700
Short-circuit protection	no
Overload protection	no

Detection zone

Sensing range [mm]	4
Real sensing range S_r [mm]	$2 \pm 10\%$
Operating distance [mm]	0...1.6

Accuracy / deviations

Correction factor	steel: 1 / stainless steel: 0.7 / brass: 0.4 / aluminium: 0.4 / copper: 0.3
Hysteresis [% of S_r]	1...15
Switch point drift [% of S_r]	-10...10

Operating conditions

Ambient temperature [°C]	-25...80
Protection	IP 67

Mechanical data

Housing	threaded type
Mounting	non-flush mountable
Dimensions [mm]	M12 x 1 / L = 71
Thread designation	M12 x 1
Materials	PBT

IF5006



Inductive sensor

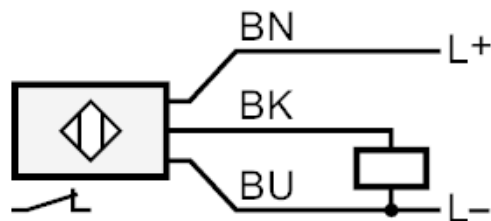
IF-3004-APOG

Displays / operating elements		
Display	switching status	1 x LED, yellow
Accessories		
Accessories (supplied)	lock nuts: 2	
Remarks		
Pack quantity	1 pcs.	

Electrical connection

Cable: 2 m, PVC; 3 x 0.34 mm²

Connection



Core colours :

BN = brown
BU = blue
BK = black

Article no longer available - archive entry

replaced by: IF5349