

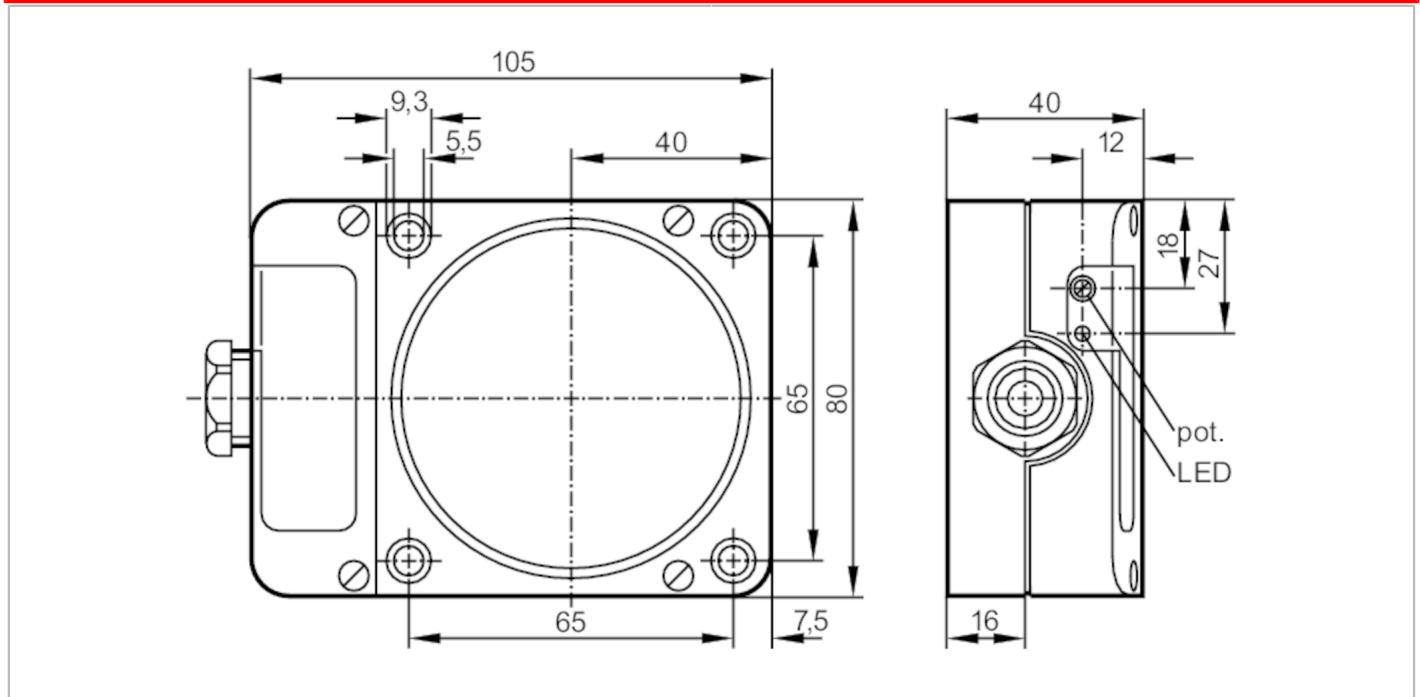


Inductive sensor

IDE2060-FBOW

Article no longer available - archive entry

replaced by: ID0013



Electrical data		
Frequency AC	[Hz]	47...63
Operating voltage	[V]	20...250 AC
Protection class		II
Reverse polarity protection		no
Outputs		
Output function		normally open / normally closed; (selectable)
Max. voltage drop switching output AC	[V]	5.5
Minimum load current	[mA]	5
Max. leakage current	[mA]	2.5
Permanent current rating of switching output AC	[mA]	300; (500 (...50 °C))
Short-time current rating of switching output	[mA]	2200; (20 ms / 0,5 Hz)
Switching frequency AC	[Hz]	4
Short-circuit protection		no
Overload protection		no
Detection zone		
Sensing range	[mm]	60
Sensing range adjustable		yes
Factory setting sensing range	[mm]	60
Real sensing range Sr	[mm]	60 ± 10 %
Operating distance	[mm]	0...48.6

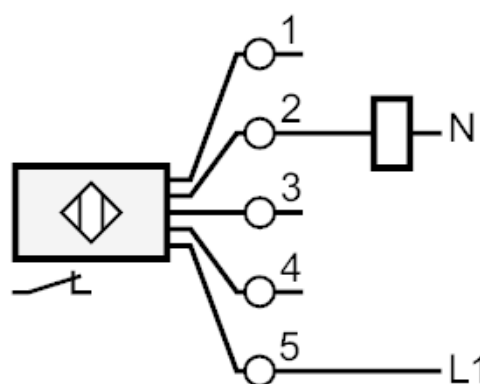
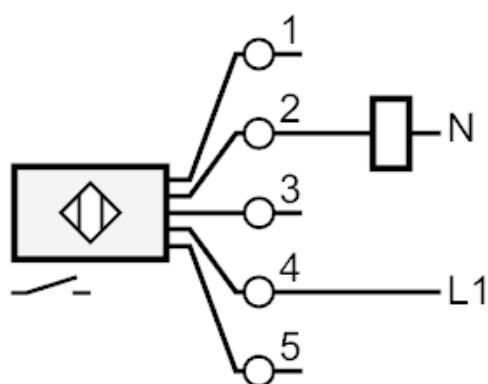
ID0003



Inductive sensor

IDE2060-FBOW

Accuracy / deviations		
Correction factor	steel: 1 / stainless steel: 0.7 / brass: 0.4 / aluminium: 0.3 / copper: 0.2	
Hysteresis [% of Sr]	1...15	
Switch point drift [% of Sr]	-10...10	
Operating conditions		
Ambient temperature [°C]	-25...80	
Protection	IP 65	
Tests / approvals		
EMC	EN 60947-5-2	class B
	EN 55011	
Mechanical data		
Housing	rectangular	
Mounting	non-flush mountable	
Dimensions [mm]	105 x 80 x 40	
Materials	PPE modified	
Displays / operating elements		
Display	switching status	1 x LED, yellow
Accessories		
Accessories (supplied)	screwdriver: 1	
Remarks		
Pack quantity	1 pcs.	
Electrical connection		
terminals: ...2.5 mm ²		
Connection		



Article no longer available - archive entry

replaced by: ID0013