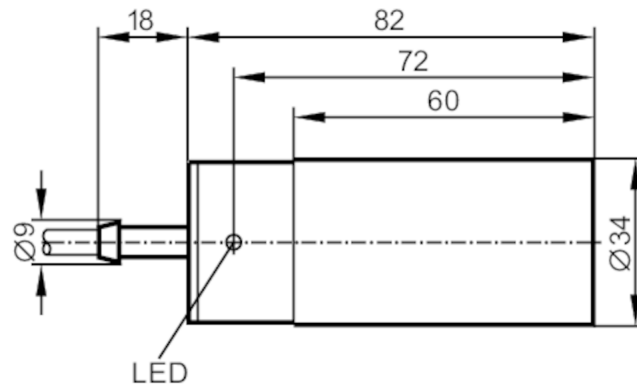


IB5138



Inductive sensor

IB-3020-BPKG/55V



Electrical data

Operating voltage	[V]	10...55 DC
Current consumption	[mA]	5; (24 V)
Protection class		II
Reverse polarity protection		yes

Outputs

Electrical design		PNP
Output function		normally open
Max. voltage drop switching output DC	[V]	2.5
Permanent current rating of switching output DC	[mA]	250
Switching frequency DC	[Hz]	60
Short-circuit protection		yes
Type of short-circuit protection		pulsed
Overload protection		yes

Detection zone

Sensing range	[mm]	20
Real sensing range S_r	[mm]	$20 \pm 10 \%$
Operating distance	[mm]	0...16.2

Accuracy / deviations

Correction factor		steel: 1 / stainless steel: 0.7 / brass: 0.4 / aluminium: 0.3 / copper: 0.2
Hysteresis	[% of S_r]	1...15
Switch point drift	[% of S_r]	-10...10

Operating conditions

Ambient temperature	[°C]	-25...80
Protection		IP 67

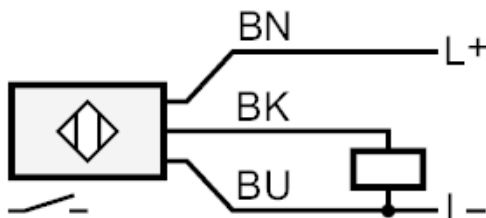
IB5138



Inductive sensor

IB-3020-BPKG/55V

Tests / approvals		
EMC	EN 60947-5-2 EN 55011	class B
MTTF [years]	1719	
Mechanical data		
Weight [g]	251.7	
Housing	cylindrical	
Mounting	non-flush mountable	
Dimensions [mm]	Ø 34 / L = 82	
Materials	PBT	
Displays / operating elements		
Display	switching status	1 x LED, yellow
Accessories		
Accessories (supplied)	Mounting clamps: 1	
Remarks		
Pack quantity	1 pcs.	
Electrical connection		
Cable: 2 m, PVC; 3 x 0.5 mm ²		
Connection		



Core colours :

- BN = brown
- BU = blue
- BK = black