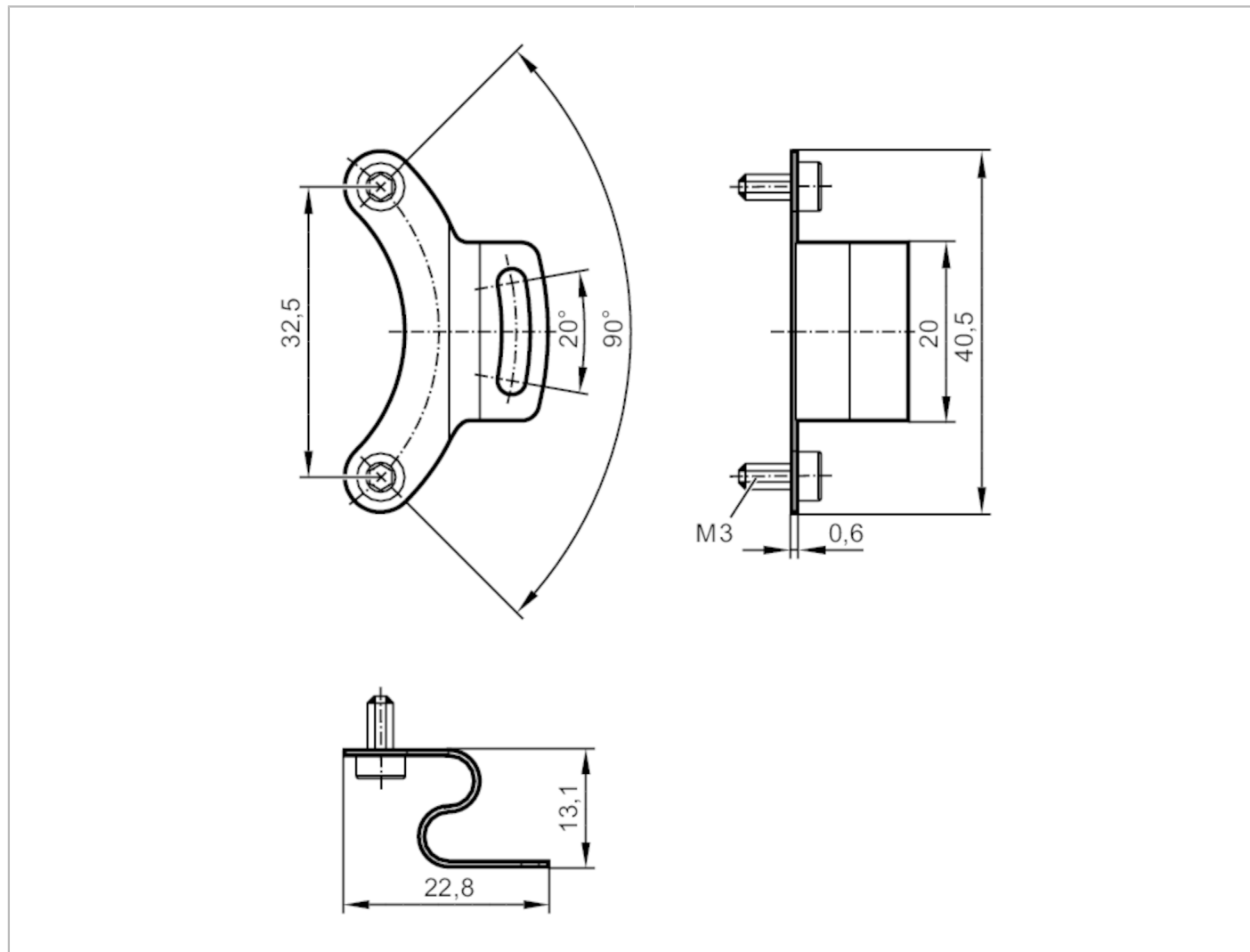


# E60205



## Stator coupling for encoders

STATOR COUPLING RO3, ROP



Mechanical data	
Weight [g]	7.5
Materials	stainless steel (301/1.4310)
Tightening torque [Nm]	0.8
Accessories	
Items supplied	socket head screws: 2 x M3 x 0,5-6H, TX 10
Remarks	
Pack quantity	1 pcs.