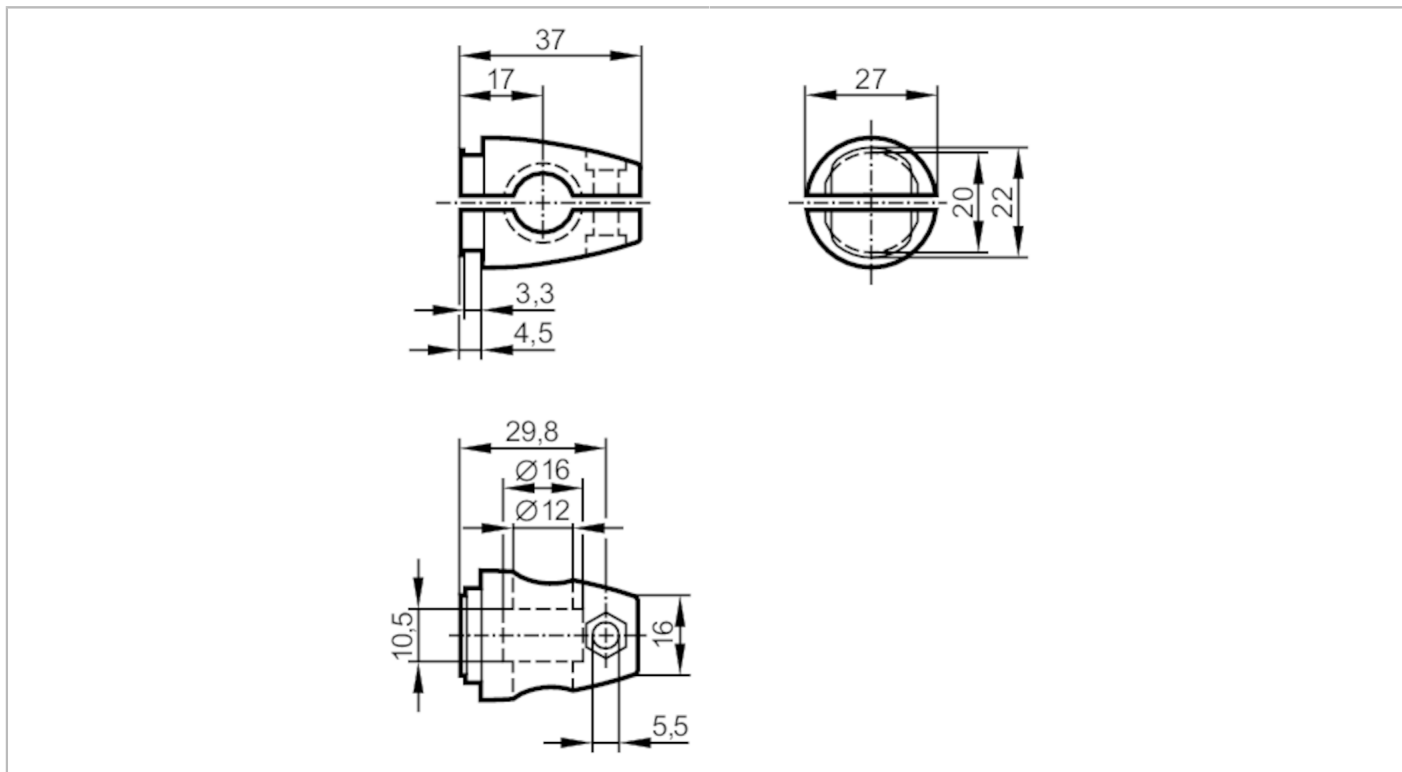


E21110



Clamp

SYSTEM COMPONENT CLAMP BOLT



Mechanical data	
Weight [g]	88.5
Type of mounting	Mounting rod; (\varnothing 12 mm)
Dimensions [mm]	27 x 27 x 37
Materials	Clamp: stainless steel (1.4408)
Remarks	
Pack quantity	1 pcs.