

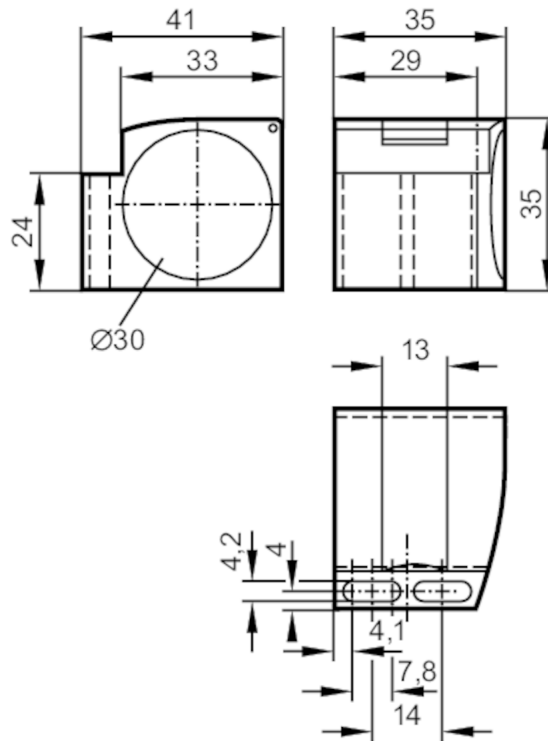
# E11180



## Mounting clamp for position sensors

MOUNTING CLAMP M30

Article no longer available - archive entry



### Application

Design

without end stop

### Mechanical data

Inside diameter [mm]

30

Materials

PC

### Remarks

Pack quantity

1 pcs.

Article no longer available - archive entry