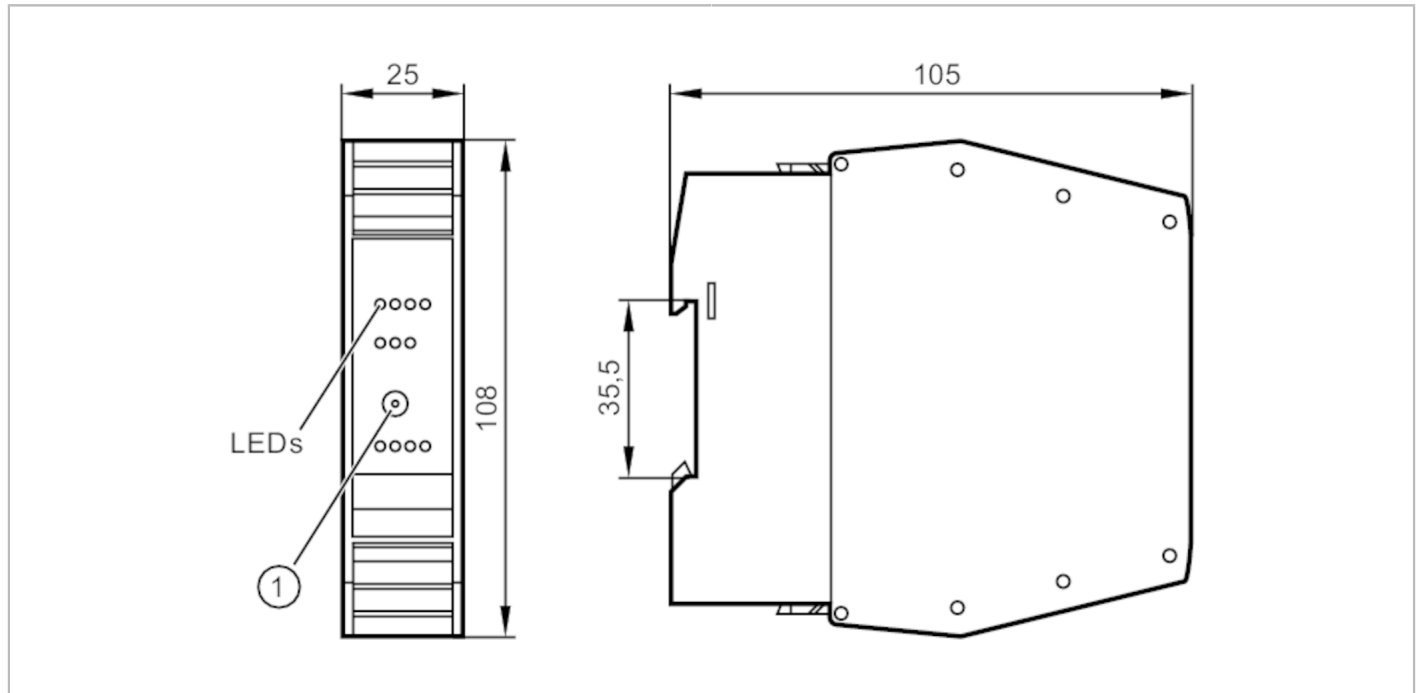




## AS-Interface control cabinet module

SmartL25 4DI 4DO T C



### Electrical data

Operating voltage	[V]	26.5...31.6 DC
Max. current consumption from AS-i	[mA]	50
Max. current load total	[A]	4; (> 50 °C: 2000 mA)
Integrated watchdog		yes

### Inputs / outputs

Number of inputs and outputs	Number of digital inputs: 4; Number of digital outputs: 4
------------------------------	---

### Inputs

Number of digital inputs	4
Input circuit of digital inputs	PNP
Sensor supply of the inputs	external (E+/E-), to PELV
Voltage supply	[V] 18...30
Max. total current rating of inputs	[mA] 200
Input current High	[mA] 6...10
Input current Low	[mA] 0...2
Min. switching level high signal	[V] 11
Digital inputs protected against short circuits	yes



## AS-Interface control cabinet module

SmartL25 4DI 4DO T C

Outputs																
Number of digital outputs	4															
Circuit	PNP															
Voltage range DC [V]	20...30; (external (E+/E-), to PELV)															
Max. current load per output [mA]	1000; (utilisation category DC-12: 700 mA; utilisation category DC-13 (control of electromagnets): 20 W (IEC 60947-5-1))															
Short-circuit proof	yes															
Electrically separated	yes															
Operating conditions																
Ambient temperature [°C]	-25...70															
Note on ambient temperature	cRUus: -25...60 °C															
Protection	IP 20															
Tests / approvals																
EMC	EN 50295															
	EN 50178															
MTTF [years]	186															
AS-i classification																
AS-i version	2.1															
AS-i addressing	addressing socket															
Extended addressing mode possible	no															
AS-i profile	S-7.0.E															
AS-i I/O configuration [hex]	7															
AS-i ID code [hex]	0.E															
AS-i certificate	37302															
Assignment of the data bits	<table border="1"> <thead> <tr> <th>data bit</th> <th>D0</th> <th>D1</th> <th>D2</th> <th>D3</th> </tr> </thead> <tbody> <tr> <td>input</td> <td>I-1</td> <td>I-2</td> <td>I-3</td> <td>I-4</td> </tr> <tr> <td>Output</td> <td>O-1</td> <td>O-2</td> <td>O-3</td> <td>O-4</td> </tr> </tbody> </table>	data bit	D0	D1	D2	D3	input	I-1	I-2	I-3	I-4	Output	O-1	O-2	O-3	O-4
	data bit	D0	D1	D2	D3											
	input	I-1	I-2	I-3	I-4											
Output	O-1	O-2	O-3	O-4												
Mechanical data																
Weight [g]	136.5															
Type of mounting	mounting on DIN rail; string mounting possible															
Materials	PA															
Displays / operating elements																
Display	switching status	LED, yellow														
	operation	LED, green														
	errors	LED, red														
Accessories																
Accessories (optional)	COMBICON connectors															
Remarks																
Pack quantity	1 pcs.															



## AS-Interface control cabinet module

SmartL25 4DI 4DO T C

### Electrical connection

COMBICON:

### Connection

I-	I-	I-	I-
I1	I2	I3	I4
I+	I+	I+	I+

O-	O-	O-	O-
O1	O2	O3	O4
A+	A-	E+	E-

A+	AS-i +
A-	AS-i -
I+	Sensor supply +24V
I-	Sensor supply 0V
E+	external voltage supply for sensors/actuators
E-	external voltage supply for sensors/actuators
I1...I4	switching input sensor 1...4
O-	switching output actuator 0V
O1...O4	switching output actuator 1...4