

# TT3181

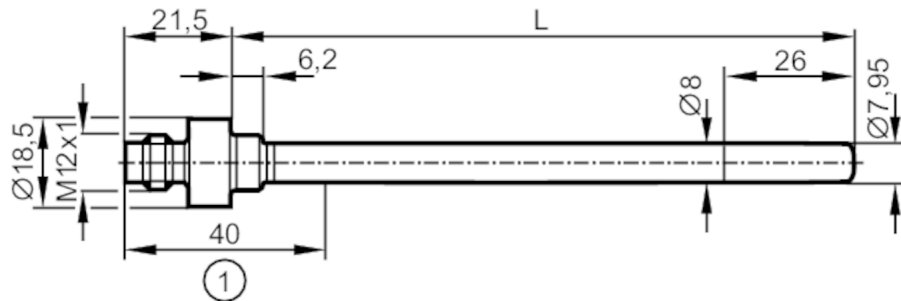


## Temperature probe sensor

TT-300KBBD08- I/US/ IV

Article no longer available - archive entry

Alternative article: TT3281 or TT3081 When selecting an alternative article and accessories please note that technical data may differ! – When selecting an alternative article and accessories please note that technical data may differ!



1 plug area  
L = probe length corresponds to installation length EL



### Product characteristics

Measuring range	-40...150 °C	-40...302 °F
Installation length EL [mm]	360	

### Application

Special feature	Gold-plated contacts	
Measuring element	1 x Pt 100; (to DIN EN 60751, class A)	
Media	liquids and gases	
Pressure rating [bar]	160	
Minimum installation depth [mm]	15	

### Electrical data

Protection class	III	
------------------	-----	--

### Measuring/setting range

Probe length L [mm]	360	
Measuring range	-40...150 °C	-40...302 °F

### Accuracy / deviations

Accuracy [K]	± (0,15 K + 0,002 x  t )	
--------------	--------------------------	--

### Response times

Dynamic response T05 / T09 [s]	1 / 3; (to DIN EN 60751)	
--------------------------------	--------------------------	--

### Operating conditions

Ambient temperature [°C]	-25...80	
Note on ambient temperature	plug area	
Storage temperature [°C]	-40...100	
Protection	IP 68; IP 69K	

### Tests / approvals

Shock resistance	DIN EN 60068-2-27	50 g (11 ms)
Vibration resistance	DIN EN 60068-2-6	5 g (10...2000 Hz)
MTTF [years]	22831	

# TT3181



## Temperature probe sensor

TT-300KBBD08- I/US/ IV

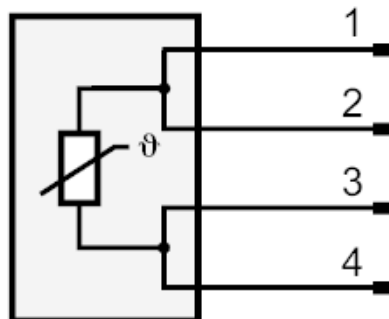
Mechanical data	
Weight [g]	85
Dimensions [mm]	Ø 8
Materials	stainless steel (1.4404 / 316L)
Materials (wetted parts)	stainless steel (1.4404 / 316L)
Probe diameter [mm]	8
Installation length EL [mm]	360
Remarks	
Remarks	operating voltage "supply class 2" according to cULus The values for accuracy apply to flowing water.
Notes	discontinued article
Pack quantity	1 pcs.

## Electrical connection

Connector: 1 x M12; Contacts: gold-plated



## Connection



Article no longer available - archive entry

Alternative article: TT3281 or TT3081 When selecting an alternative article and accessories please note that technical data may differ! – When selecting an alternative article and accessories please note that technical data may differ!