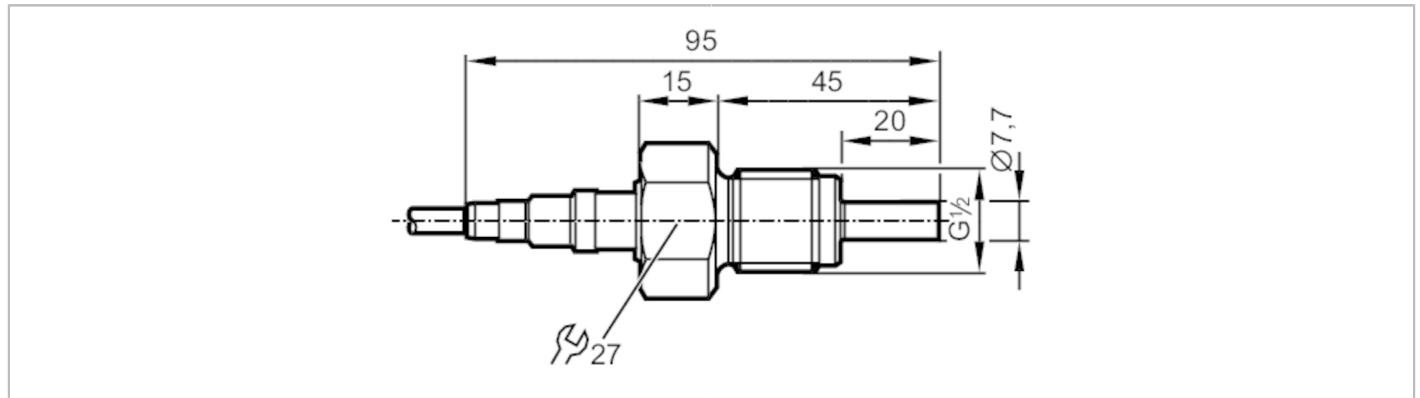


# SP321A



## Flow sensor for connection to an evaluation unit

SPR12ABB/2G/6M




Product characteristics		
Process connection		G 1/2 external thread
Application		
Media		Liquids; Gases
Medium temperature	[°C]	-20...70
Pressure rating	[bar]	30
Liquids		
Medium temperature	[°C]	-20...70
Gases		
Medium temperature	[°C]	-20...70
Electrical data		
Connection to control monitor		VS4000
Measuring/setting range		
Liquids		
Setting range	[cm/s]	3...300
Greatest sensitivity	[cm/s]	3...100
Gases		
Setting range	[cm/s]	100...15000
Greatest sensitivity	[cm/s]	100...7500
Accuracy / deviations		
Temperature gradient	[K/min]	30
Response times		
Response time	[s]	1...10
Liquids		
Response time	[s]	1...10
Gases		
Response time	[s]	1...10
Operating conditions		
Ambient temperature	[°C]	-20...70
Protection		IP 65; IP 67

# SP321A



## Flow sensor for connection to an evaluation unit

SPR12ABB/2G/6M

Tests / approvals	
Approval	ZELM 11 ATEX 0467; IECEx ZLM 11.0005
ATEX marking	 II 2G Ex ia IIC T4 Gb
Shock resistance	DIN IEC 68-2-27 40 g (11 ms)
Vibration resistance	DIN IEC 68-2-6 10 g (55...2000 Hz)
MTTF [years]	8519
Mechanical data	
Weight [g]	367.5
Housing	threaded type
Materials	stainless steel (1.4404 / 316L)
Materials (wetted parts)	stainless steel (1.4404 / 316L)
Process connection	G 1/2 external thread
Remarks	
Remarks	In principle, the type test according to 94/9/EC (ATEX) only takes atmospheric conditions into account (0.8...1.1 bar). For pressures outside this range use must be assessed and approved by the user. Adhere to the operating instructions and the type test certificate.
Pack quantity	1 pcs.

# SP321A



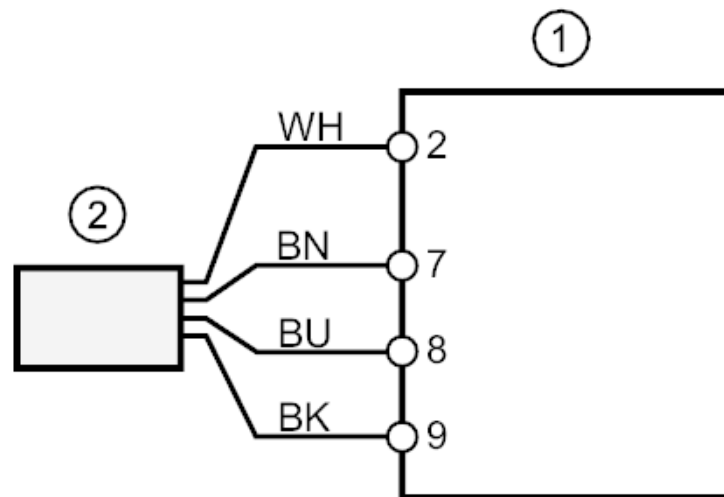
## Flow sensor for connection to an evaluation unit

SPR12ABB/2G/6M

### Electrical connection

Cable: 6 m, TPE-S; Maximum cable length: 100 m; 4 x 0.34 mm<sup>2</sup>

### Connection



1 SR307A / VS4000

2 SP321A

Core colours :

BK = black

BN = brown

BU = blue

WH = white