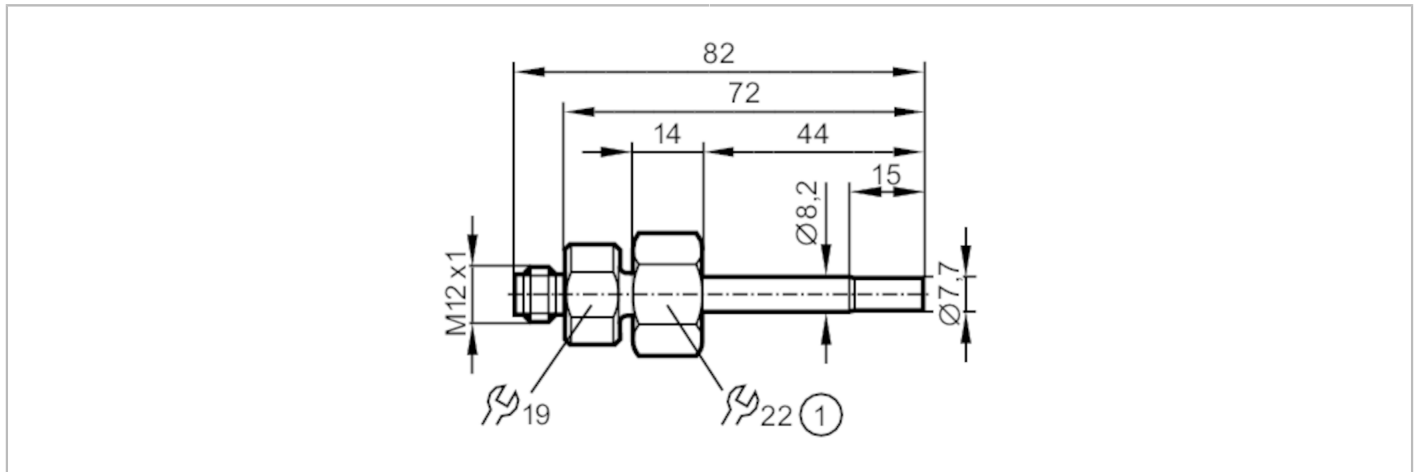


SF0537



Flow sensor for connection to an evaluation unit

SFD10ABB /JS-100



Product characteristics	
Probe length L	[mm] 45
Process connection	M18 x 1,5 internal thread
Application	
Application	high-temperature range
Media	Liquids; Gases
Medium temperature	[°C] -25...80
Pressure rating	[bar] 30
Liquids	
Application	high-temperature range
Medium temperature	[°C] -25...80
Gases	
Medium temperature	[°C] -25...80
Electrical data	
Connection to control monitor	VS3000
Measuring/setting range	
Probe length L	[mm] 45
Liquids	
Setting range	[cm/s] 3...300
Greatest sensitivity	[cm/s] 3...60
Gases	
Setting range	[cm/s] 200...3000
Greatest sensitivity	[cm/s] 200...800
Accuracy / deviations	
Temperature gradient	[K/min] 300
Response times	
Response time	[s] 1...10

SF0537

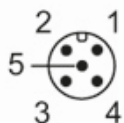


Flow sensor for connection to an evaluation unit

SFD10ABB /JS-100

Liquids		
Response time	[s]	1...10
Gases		
Response time	[s]	1...10
Operating conditions		
Protection		IP 67
Tests / approvals		
Shock resistance	DIN IEC 68-2-27	40 g (11 ms)
Vibration resistance	DIN IEC 68-2-6	10 g (55...2000 Hz)
MTTF	[years]	8213
Mechanical data		
Weight	[g]	87.5
Housing		for adapter
Materials		stainless steel (1.4404 / 316L)
Materials (wetted parts)		stainless steel (1.4404 / 316L); O-ring: FKM 80 Shore A
Process connection		M18 x 1,5 internal thread
Remarks		
Pack quantity		1 pcs.
Electrical connection		

Connector: 1 x M12; Maximum cable length: 100 m



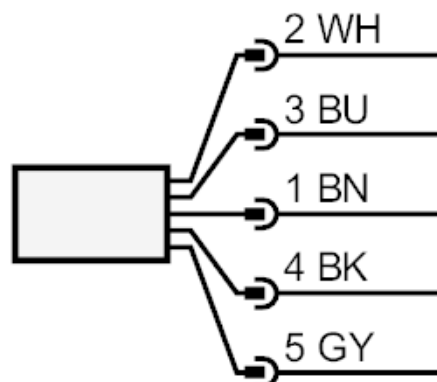
SF0537



Flow sensor for connection to an evaluation unit

SFD10ABB /JS-100

Connection



Core colours :

BN =	brown
BU =	blue
BK =	black
WH =	white
GY =	grey