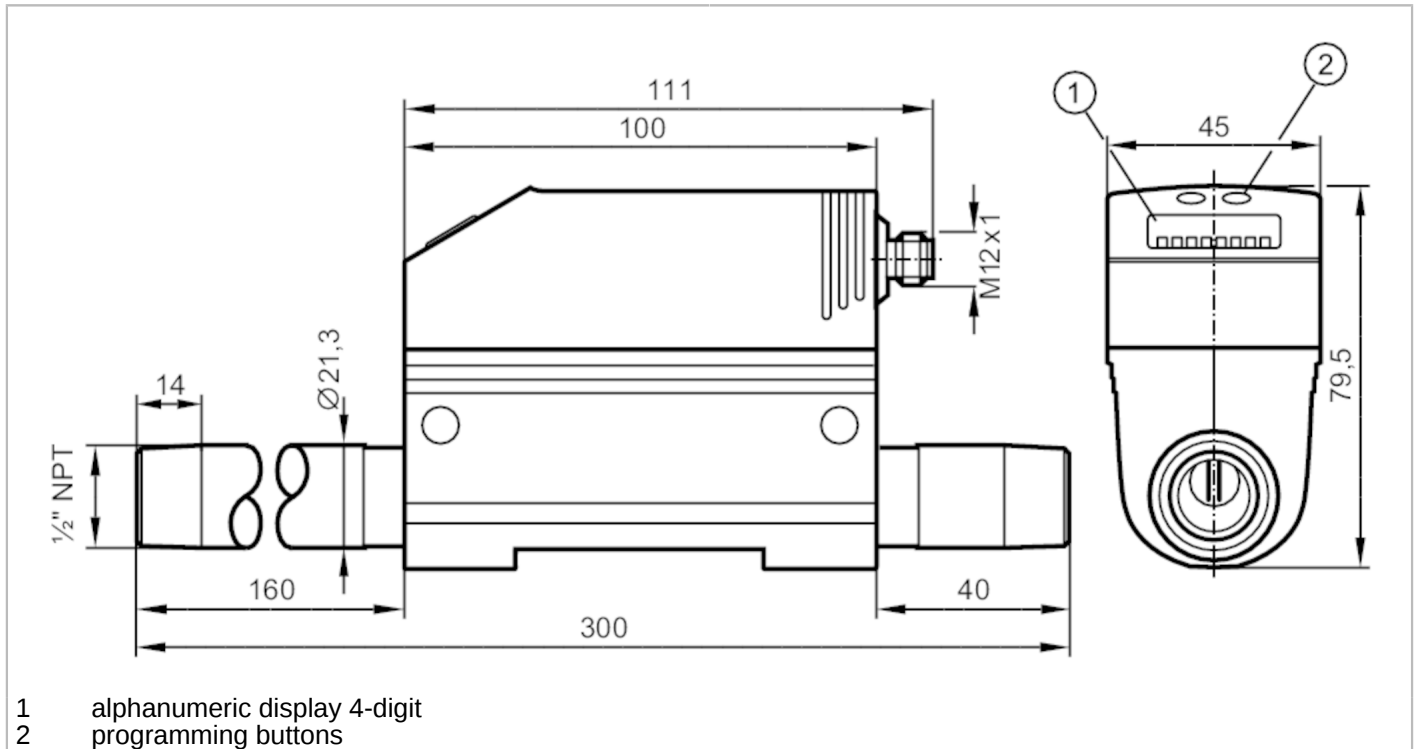


SD6001



Compressed air meter

SDN12DGXFPKG/US-100



Product characteristics

Number of inputs and outputs	Number of digital outputs: 2; Number of analogue outputs: 1	
Measuring range	10...2650 scfh	0.2...44.1 scfm
Process connection	threaded connection 1/2 NPT DN15	

Application

Application	for industrial applications	
Media	compressed air	
	air quality ISO 8573-1	
Note on media	class 141	
	class 344	
Medium temperature	[°F]	32...140
Pressure rating	[bar]	16
Pressure rating	[psi]	232
MAWP (for applications according to CRN)	[bar]	16

Electrical data

Operating voltage	[V]	19...30 DC; (according to EN 50178 SELV/PELV)
Current consumption	[mA]	< 100
Protection class		III
Reverse polarity protection		yes
Power-on delay time	[s]	1

Inputs / outputs

Number of inputs and outputs	Number of digital outputs: 2; Number of analogue outputs: 1
------------------------------	---



Compressed air meter

SDN12DGXFPKG/US-100

Outputs		
Total number of outputs		2
Output signal		switching signal; analogue signal; pulse signal; (configurable)
Electrical design		PNP
Number of digital outputs		2
Output function		normally open / normally closed; (parameterisable)
Max. voltage drop switching output DC	[V]	2
Permanent current rating of switching output DC	[mA]	250; (per output)
Number of analogue outputs		1
Analogue current output	[mA]	4...20; (scalable)
Max. load	[Ω]	500
Pulse output		consumed quantity meter
Short-circuit protection		yes
Type of short-circuit protection		pulsed
Overload protection		yes
Measuring/setting range		
Measuring range	10...2650 scfh	0.2...44.1 scfm
Display range	0...3178 scfh	0...53 scfm
Set point SP	25...2650 scfh	0.4...44.1 scfm
Reset point rP	10...2635 scfh	0.2...43.9 scfm
Analogue start point ASP	0...1985 scfh	0...33.1 scfm
Analogue end point AEP	660...2650 scfh	11...44.1 scfm
In steps of	5 scfh	0.1 scfm
Volumetric flow quantity monitoring		
Pulse value	0.040...4 000 000 scf	
In steps of	0.020...1000 scf	
Pulse length	[s]	0,045...2
Temperature monitoring		
Measuring range	[°F]	32...140
Display range	[°F]	32...140
Accuracy / deviations		
Flow monitoring		
Repeatability	[% of the measured value]	± 1,5
Accuracy (in the measuring range)		± (3 % MW + 0,3 % MEW) / ± (6 % MW + 0,6 % MEW); (class 141 / ; class 344; conditions: installation to DIN ISO 2533; installation in pipes: DN15)
Temperature monitoring		
Accuracy	[K]	± 2; (medium flow in the limit area of the flow measurement range)

SD6001



Compressed air meter

SDN12DGXFPKG/US-100

Response times		
Flow monitoring		
Response time [s]	0.1; (dAP = 0)	
Damping for the switching output dAP in steps [s]	0 - 0,2 - 0,4 - 0,6 - 0,8 - 1	
Software / programming		
Parameter setting options	Flow monitoring; quantity meter; Preset counter; hysteresis / window; normally open / normally closed; current/pulse output; display can be rotated and switched off; Display unit	
Operating conditions		
Ambient temperature [°F]	32...140	
Storage temperature [°F]	-4...185	
Max. relative air humidity [%]	90	
Protection	IP 65	
Tests / approvals		
EMC	DIN EN 61000-6-2	
	DIN EN 61000-6-3	
Vibration resistance	DIN EN 68000-2-6	5 g (55...2000 Hz)
MTTF [years]	227	
Pressure Equipment Directive	Sound engineering practice; can be used for group 2 fluids; group 1 fluids on request	
Mechanical data		
Weight [g]	925	
Materials	PBT-GF20; NBR; PC; stainless steel (1.4301 / 304); PTFE; brass coated; FKM; aluminium powder-coated	
Materials (wetted parts)	stainless steel (1.4301 / 304); FKM; ceramics glass passivated; PEEK GF30; polyester; aluminium	
Process connection	threaded connection 1/2 NPT DN15	
Displays / operating elements		
Display	Display unit	4 x LED, green (scfm, scfh, scf, °F)
	function display	1 x LED, yellow
	switching status	2 x LED, yellow
	measured values	alphanumeric display, 4-digit
	programming	alphanumeric display, 4-digit
Remarks		
Remarks	scf = standard cubic feet	
	scfh = standard cubic feet per hour	
	scfm = standard cubic feet per minute	
	MW = measured value	
	MEW = Final value of the measuring range	
	Measuring, display and setting ranges refer to the standard volume flow according to DIN ISO 2533.	
Pack quantity	For information about installation and operation please see the operating instructions. 1 pcs.	
Electrical connection		
Connector: 1 x M12		

SD6001

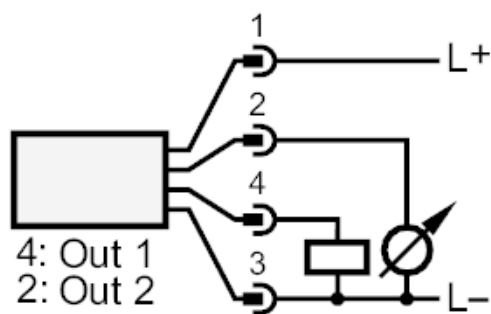
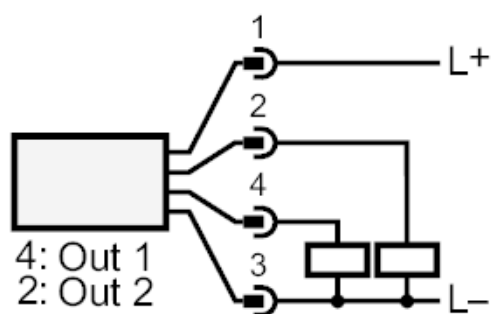


Compressed air meter

SDN12DGXFPKG/US-100



Connection



- OUT1: switching output
 Pulse output quantity meter
 signal output Preset counter
- OUT2: switching output
 analogue output