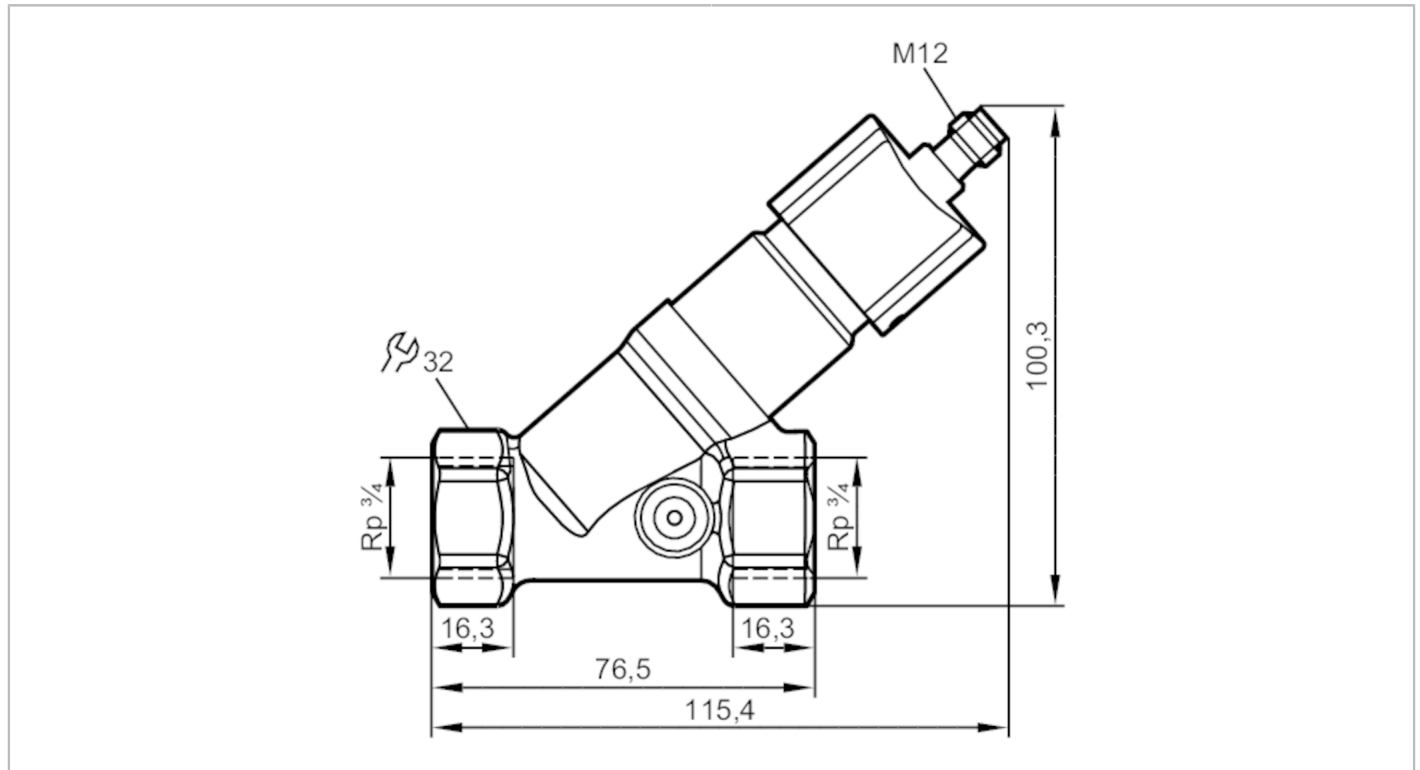


# SBY433



## Flow transmitter with integrated backflow prevention

SBY34HF010KG/US



| Product characteristics     |         |  |
|-----------------------------|---------|--|
| Measuring range             | [l/min] | 1...25   |
| Process connection          |         | Rp 3/4   |
| Application                 |         |  |
| Media                       |         | Liquids; water; glycol solutions; oils; coolants |
| Medium temperature          | [°C]    | -10...100  |
| Pressure rating             | [bar]   | 40   |
| Electrical data             |         |  |
| Operating voltage           | [V]     | 18...32 DC; (to SELV/PELV)                       |
| Current consumption         | [mA]    | < 35   |
| Protection class            |         | III  |
| Reverse polarity protection |         | yes  |
| Outputs                     |         |  |
| Output signal               |         | analogue signal                                  |
| Analogue current output     | [mA]    | 4...20   |
| Max. load                   | [Ω]     | 500  |
| Short-circuit protection    |         | yes  |
| Overload protection         |         | yes  |
| Measuring/setting range     |         |  |
| Measuring range             | [l/min] | 1...25   |
| Accuracy / deviations       |         |  |
| Repeatability               |         | 1  |

# SBY433



## Flow transmitter with integrated backflow prevention

SBY34HF010KG/US

|                 |                        |     |
|-----------------|------------------------|-----|
|                 | [% of the final value] |     |
| Measuring error |                        | ± 5 |
|                 | [% of the final value] |     |

| Response times |     |        |
|----------------|-----|--------|
| Response time  | [s] | < 0.01 |

| Operating conditions |      |              |
|----------------------|------|--------------|
| Ambient temperature  | [°C] | 0...60       |
| Storage temperature  | [°C] | -15...80     |
| Protection           |      | IP 65; IP 67 |

| Tests / approvals    |                   |                    |
|----------------------|-------------------|--------------------|
| EMC                  | DIN EN 61000-6-2  |                    |
|                      | DIN EN 61000-6-3  |                    |
| Shock resistance     | DIN EN 60068-2-27 | 20 g (11 ms)       |
| Vibration resistance | DIN EN 60068-2-6  | 5 g (10...2000 Hz) |
| MTTF                 | [years]           | 778                |

| Mechanical data             |   |     |
|-----------------------------|---|-----|
| Weight                      | [g]   | 483 |
| Materials                   | brass chemically nickel-plated; PP; stainless steel (1.4404 / 316L); aluminium anodised; PA |     |
| Materials (wetted parts)    | stainless steel (1.4401 / 316); brass; brass chemically nickel-plated; PP; PPS; O-ring: FKM |     |
| Process connection          | Rp 3/4  |     |
| Switching cycles mechanical | 10 million  |     |

| Remarks       |  |  |
|---------------|--|--|
| Remarks       | Recommendation Use 200 micron filtration<br>All data refer to water (20 °C). |  |
| Pack quantity | 1 pcs.   |  |

| Electrical connection |  |  |
|-----------------------|--|--|
| Connector: 1 x M12    |  |  |



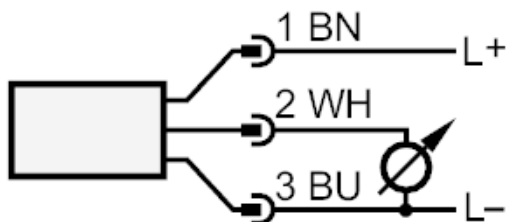
# SBY433



## Flow transmitter with integrated backflow prevention

SBY34HF010KG/US

### Connection



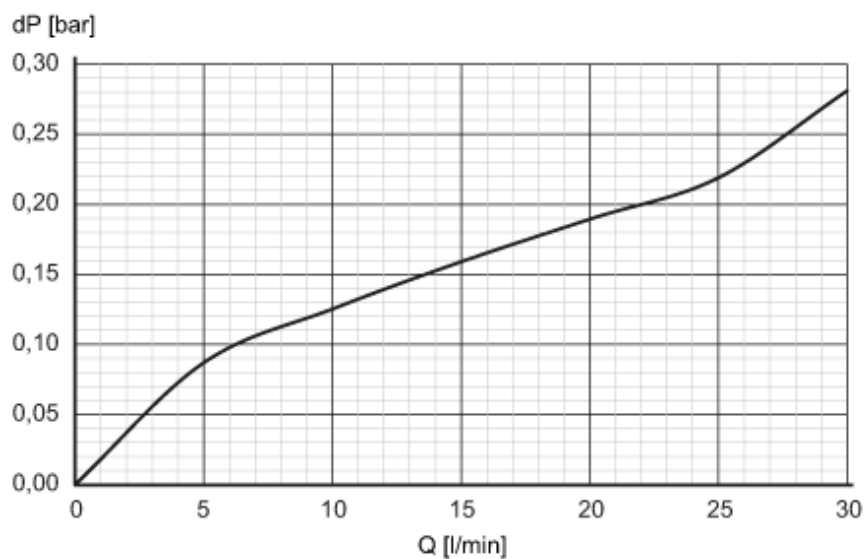
colours to DIN EN 60947-5-2

Core colours :

BN = brown  
BU = blue  
WH = white

### Diagrams and graphs

Pressure loss



dP Pressure loss

Q volumetric flow quantity