

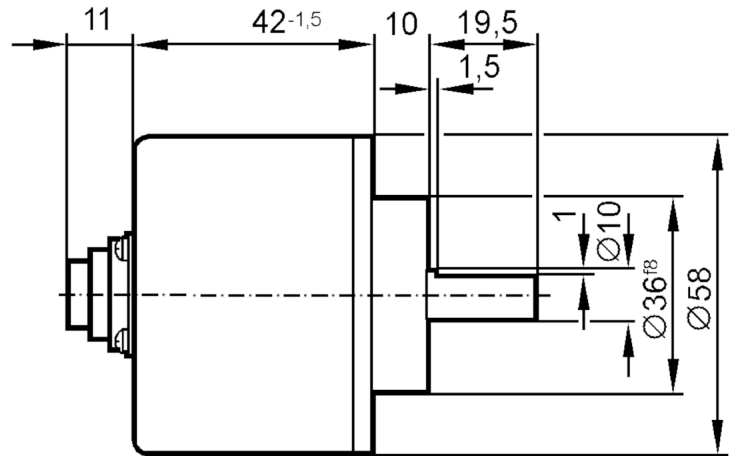
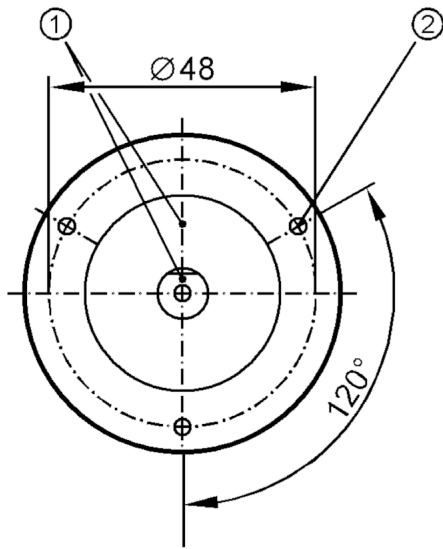
RV6106



Incremental encoder with solid shaft

RV-0500-I24/S M

Article no longer available - archive entry



- 1 reference mark
- 2 M3 Depth 5 mm



Product characteristics

Resolution	500 resolution
Shaft design	solid shaft
Shaft diameter [mm]	10

Electrical data

Operating voltage [V]	10...30 DC
Current consumption [mA]	150

Outputs

Electrical design	HTL
Max. current load per output [mA]	50
Switching frequency [kHz]	300
Type of short-circuit protection	< 60 s
Phase difference A and B [°]	90

Measuring/setting range

Resolution	500 resolution
------------	----------------

Operating conditions

Ambient temperature [°C]	-30...85
Storage temperature [°C]	-30...100
Max. relative air humidity [%]	98
Protection	IP 64

RV6106



Incremental encoder with solid shaft

RV-0500-I24/S M

Tests / approvals		
Shock resistance		100 g (11 ms)
Vibration resistance		10 g (58...2000 Hz)
Mechanical data		
Dimensions [mm]		Ø 58 / L = 82.5
Materials		aluminium
Max. revolution, mechanical [U/min]		12000
Max. starting torque [Nm]		1
Reference temperature torque [°C]		20
Shaft design		solid shaft
Shaft diameter [mm]		10
Shaft material		steel (1.4104)
Max. shaft load axial (at the shaft end) [N]		10
Max. shaft load radial (at the shaft end) [N]		20

Electrical connection	
1	L+
2	A
3	Screen housing
4	B
5	0 index
6	0V

Connector: 1 x (ifm 1013.1), axial

Diagrams and graphs	
Pulse diagram	<p>Output A Output B 0 index</p>

Article no longer available - archive entry