

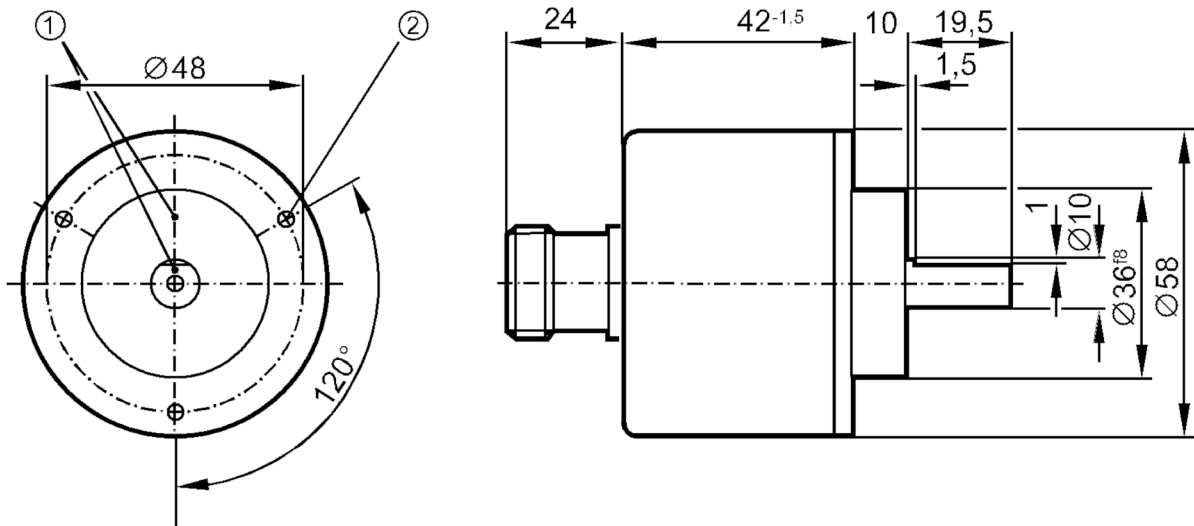
RV1042



Incremental encoder with solid shaft

RV-0625-105/J

Article no longer available - archive entry



- 1 reference mark
- 2 M3 Depth 5 mm



Product characteristics

Resolution	625 resolution
Shaft design	solid shaft
Shaft diameter [mm]	10

Electrical data

Operating voltage tolerance [%]	10
Operating voltage [V]	5 DC
Current consumption [mA]	150

Outputs

Electrical design	TTL
Max. current load per output [mA]	20
Switching frequency [kHz]	300
Phase difference A and B [°]	90

Measuring/setting range

Resolution	625 resolution
------------	----------------

Operating conditions

Ambient temperature [°C]	-30...100
Storage temperature [°C]	-30...100
Max. relative air humidity [%]	98
Protection	IP 64

RV1042



Incremental encoder with solid shaft

RV-0625-105/J

Tests / approvals

Shock resistance		100 g (6 ms)
Vibration resistance		15 g (55...2000 Hz)

Mechanical data

Dimensions [mm]		Ø 58 / L = 95.5
Materials		aluminium
Max. revolution, mechanical [U/min]		12000
Max. starting torque [Nm]		1
Reference temperature torque [°C]		20
Shaft design		solid shaft
Shaft diameter [mm]		10
Shaft material		steel (1.4104)
Max. shaft load axial (at the shaft end) [N]		10
Max. shaft load radial (at the shaft end) [N]		20

Electrical connection

1	B inverted
2	L+ sensor
3	0 index
4	0 index inverted
5	A
6	A inverted
screen	housing
7	failure inverted
8	B
9	n.c.
10	0V (Un)
11	0V sensor
12	L+

Connector: 1 x (ifm 1001.4), axial

Diagrams and graphs

Pulse diagram	
	<p>Output A</p> <p>Output B</p> <p>0 index</p>

Article no longer available - archive entry