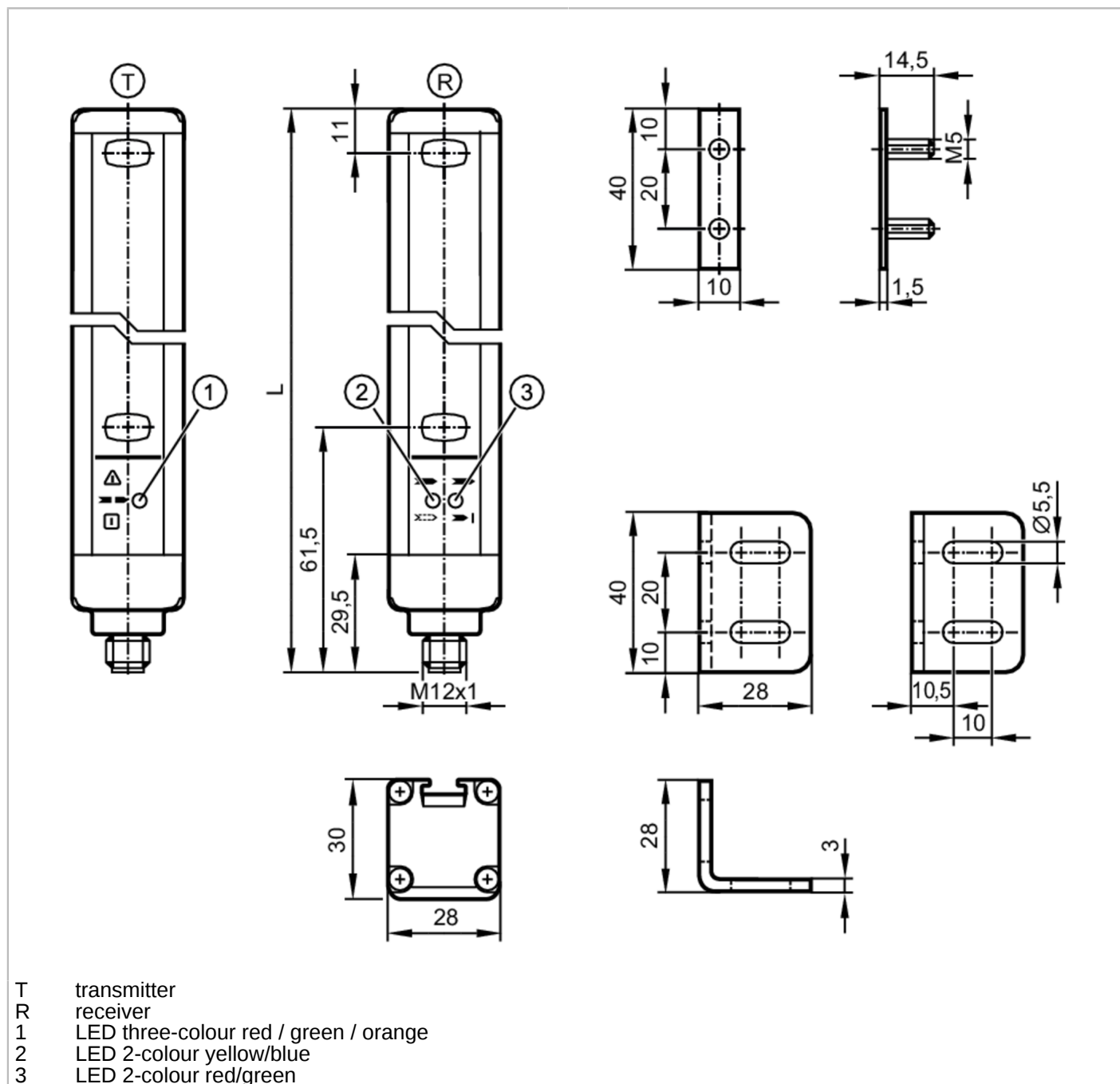


# OY287S



## Safety light curtain

OYA1060-50-4-20-P-1



### Product characteristics

|                 |                |
|-----------------|----------------|
| Type of light   | infrared light |
| Dimensions [mm] | 1113 x 28 x 30 |

### Application

|                     |   |
|---------------------|---|
| Protective function | access prevention bodies or parts of bodies |
|---------------------|---|



## Safety light curtain

OYA1060-50-4-20-P-1

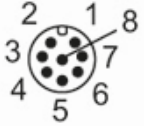
| Electrical data                              |       |  |
|--|-------|--|
| Operating voltage tolerance                  | [%]   | 20   |
| Operating voltage                            | [V]   | 24 DC  |
| Protection class                             |       | III  |
| Reverse polarity protection                  |       | yes  |
| Power-on delay time                          | [s]   | < 2  |
| Type of light                                |       | infrared light                                 |
| Wave length                                  | [nm]  | 950  |
| Receiver                                     |       |  |
| Current consumption                          | [mA]  | 83   |
| Transmitter                                  |       |  |
| Current consumption                          | [mA]  | 42   |
| Outputs                                      |       |  |
| Electrical design                            |       | PNP  |
| Number of OSSD outputs                       |       | 2  |
| Max. current load per OSSD output            | [mA]  | 400; (24 V)                                    |
| Short-circuit protection                     |       | yes  |
| Detection zone                               |       |  |
| Protected area height                        | [mm]  | 1060   |
| Resolution (detection capacity d)            | [mm]  | 50   |
| Protection area width (low light intensity)  | [m]   | 0...10   |
| Protection area width (high light intensity) | [m]   | 3...20   |
| Response times                               |       |  |
| Response time                                | [ms]  | 5.5  |
| Operating conditions                         |       |  |
| Applications                                 |       | class C to EN 60654-1 weatherproof application |
| Ambient temperature                          | [°C]  | -10...55                                       |
| Max. relative air humidity                   | [%]   | 95   |
| Protection                                   |       | IP 65; IP 67                                   |
| Tests / approvals                            |       |  |
| EMC  |       | IEC 61496-1                                    |
| Shock resistance                             |       | IEC 61496-1                                    |
| Vibration resistance                         |       | IEC 61496-1                                    |
| Safety classification                        |       |  |
| ESPE type (IEC 61496-1)                      |       | 4  |
| ISO 13849-1                                  |       | category 4, PL e                               |
| IEC 61508                                    |       | SIL 3  |
| IEC 62061                                    |       | SIL cl 3                                       |
| Mission time TM                              | [h]   | 175200   |
| Safety-related reliability PFHD              | [1/h] | 1.3E-08  |

# OY287S



## Safety light curtain

OYA1060-50-4-20-P-1

| Mechanical data  |   |
|--|---|
| Weight [g]   | 3635  |
| Dimensions [mm]  | 1113 x 28 x 30  |
| Materials  | housing: aluminium; front lens: PC  |
| Length L [mm]  | 1113  |
| Displays / operating elements  |   |
| Display  | LED, yellow   |
|  | LED, green  |
|  | LED, red  |
|  | LED, blue   |
|  | LED, orange   |
| Accessories  |   |
| Accessories (supplied)   | mounting bracket: 4   |
|  | slot nuts: 4  |
|  | Nuts  |
| Remarks  |   |
| Notes  | For 8-pole sockets the core colours are not standardised.; Please note the wiring of the sensor and the sockets (see data sheet). |
| Pack quantity  | 1 pcs.  |
| Electrical connection - receiver   |   |
| Connector: 1 x M12; Maximum cable length: 100 m; for wire cross-section 0.34 mm <sup>2</sup> |   |
|           |   |

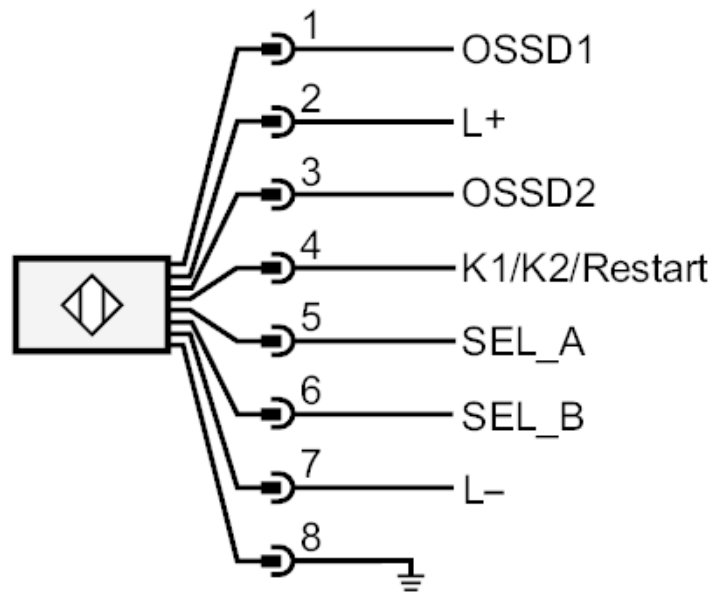
# OY287S



## Safety light curtain

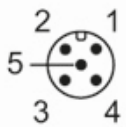
OYA1060-50-4-20-P-1

### Connection



### Electrical connection - transmitter

Connector: 1 x M12



# OY287S



## Safety light curtain

OYA1060-50-4-20-P-1

### Connection

