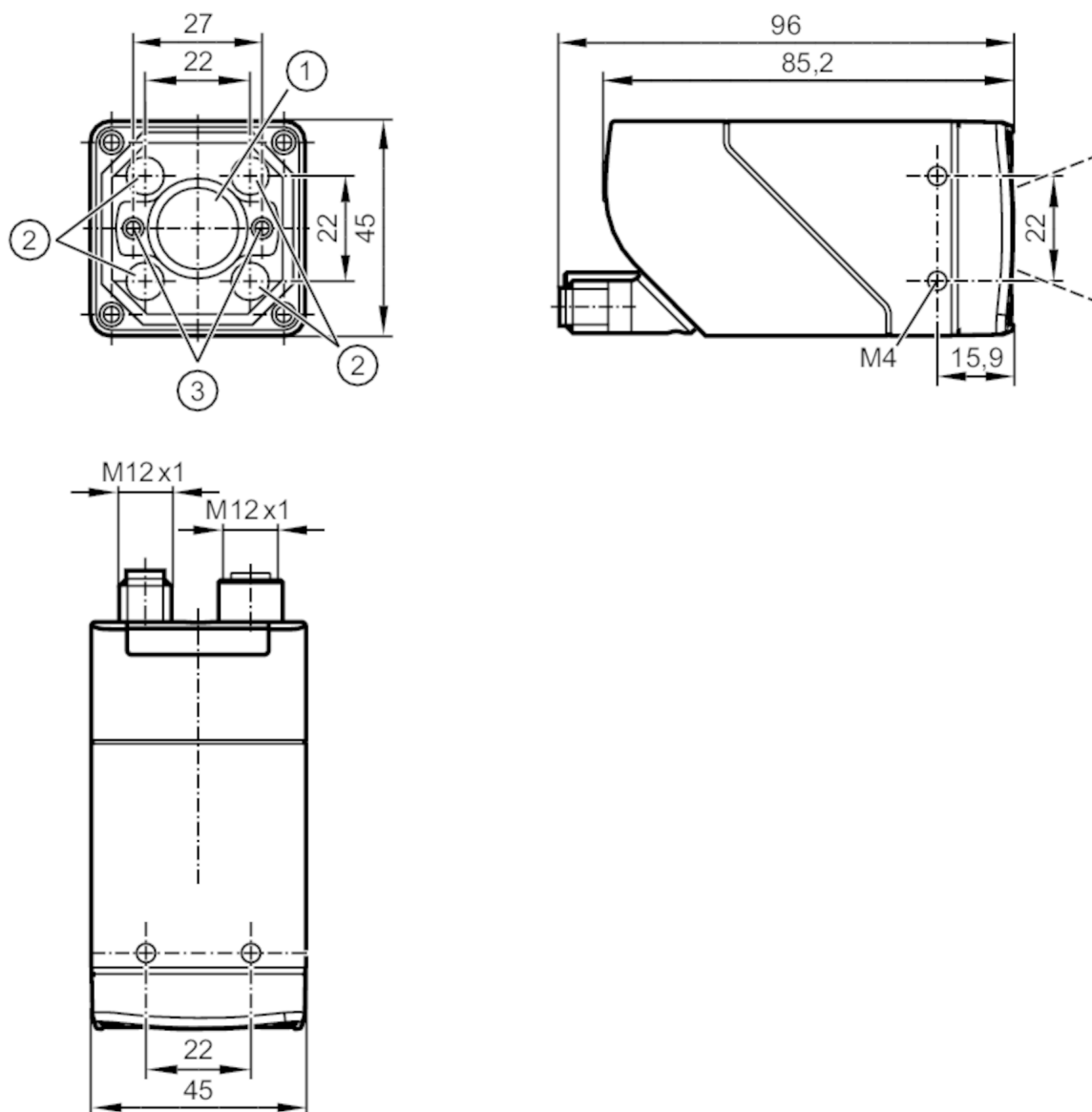


O2I500



1D/2D code readers

O2IRRDKG/E1/E2/EF/VF/TB/S



- 1 lens
- 2 illumination unit
- 3 laser spots



Product characteristics

Type of light		red light
Image resolution	[pixels]	1280 x 960
Lens type		standard
Max. reading rate	[Hz]	40
Dimensions	[mm]	45 x 45 x 85

Application

Special feature		polarisation filter
-----------------	--	---------------------



1D/2D code readers

O2IRRDKG/E1/E2/EF/VF/TB/S

Electrical data			
Operating voltage	[V]	18...30 DC	
Current consumption	[mA]	< 400; (24V DC)	
Protection class		III	
Reverse polarity protection		yes	
Type of light		red light	
Wave length	[nm]	617	
Image sensor		CMOS image sensor black/white	
Internal lighting		yes	
Laser marking		yes	
Inputs / outputs			
Number of inputs and outputs		Number of digital inputs: 1; Number of digital outputs: 2	
Inputs			
Number of digital inputs		1	
Trigger		external; 24 V PNP/NPN (IEC 61131-2 Typ 3); TCP/IP; EtherNet/IP; internal	
Outputs			
Total number of outputs		2	
Number of digital outputs		2; (configurable)	
Output function		24 V PNP/NPN	
Max. voltage drop switching output DC	[V]	1	
Max. current load per output	[mA]	100	
Short-circuit protection		yes	
Type of short-circuit protection		pulsed	
Overload protection		yes	
Detection zone			
Field of view size	[mm]	Operating distance	field of view
		85	28 x 21
		300	92 x 69
		500	152 x 114
		1000	302 x 227
Operating distance	[mm]	> 85	
Image resolution	[pixels]	1280 x 960	
Lens type		standard	
Readable codes		Interleaved 2-of-5; Industrial 2-of-5; Code 39; Code 93; Code 128; Pharmacode; Codabar; EAN8; EAN8 Add-On 2; EAN8 Add-On 5; EAN13; EAN13 Add-On 2; EAN13 Add-On 5; UPC-A; UPC-A Add-On 2; UPC-A Add-On 5; UPC-E; UPC-E Add-On 2; UPC-E Add-On 5; GS1 DataBar Omnidirectional; GS1 DataBar Truncated; GS1 DataBar Stacked; GS1 DataBar Stacked Omnidirectional; GS1 DataBar Limited; GS1 DataBar Expanded; GS1 DataBar Expanded Stacked; GS1 - 128; MSI Barcode; ECC200; PDF-417; QR; Micro-QR; Aztec Code; GS1 ECC200; GS1 QR Code; GS1 Aztec Code	
Polarisation filter available		yes	
Omnidirectional reading		yes	
Max. inclination to the image plane	[°]	45	
Max. reading rate	[Hz]	40	



1D/2D code readers

O2IRRDKG/E1/E2/EF/VF/TB/S

Software / programming		
Parameter setting options	teach button; via PC with ifm Vision Assistant	
Interfaces		
Communication interface	Ethernet	
Ethernet		
Number of Ethernet interfaces	1	
Transmission standard	10Base-T; 100Base-TX	
Transmission rate	10 MBit/s; 100 MBit/s	
Protocol	TCP/IP; EtherNet/IP	
Factory settings	IP address: 192.168.0.69	
	subnet mask: 255.255.255.0 (Class C)	
	gateway IP address: 192.168.0.201	
	MAC address: see type label	
Usage type	parameter setting; data transmission	
Operating conditions		
Ambient temperature [°C]	-10...50	
Storage temperature [°C]	-40...70	
Protection	IP 65	
Tests / approvals		
EMC	EN 61000-6-4 radiation of interference	industrial environments
	EN 61000-6-2 noise immunity	industrial environments
Shock resistance	EN 60068-2-27	50 g 11 ms / not repetitive
	EN 60068-2-27	40 g 6 ms / repetitive
Vibration resistance	EN 60068-2-6	2 g (10 ... 150 Hz)
Laser protection class	1	
Notes on laser protection	Caution:	laser light
	laser class:	1
		EN / IEC60825-1:2007
		EN / IEC60825-1:2014
		Complies with 21 CFR 1040 except for deviations pursuant to Laser Notice No. 50, dated June 2007.
Photobiological safety	exempt group; (EN 62471)	
Electrical protection	EN 61010-2-201	electrical supply only via PELV circuits
Mechanical data		
Weight [g]	601	
Dimensions [mm]	45 x 45 x 85	
Materials	housing: diecast zinc powder-coated; front lens: Gorillaglas; LED window: PC; pushbutton: POM; plug: stainless steel; Sealing: FKM	
Displays / operating elements		
Display	function	2 x LED, green
	function	2 x LED, yellow
	Teach-Funktion	1 x LED, green
	Teach-Funktion	1 x LED, yellow
Operating elements	1 x	Teach-Taste



1D/2D code readers

O2IRRDKG/E1/E2/EF/VF/TB/S

Accessories	
Accessories (optional)	Operating software
	Mounting accessories
	Adapter cable
	protective panes and filter panes

Remarks	
Pack quantity	1 pcs.

Electrical connection

Electrical connection - Ethernet

- 1 TxD+
- 2 RxD+
- 3 TxD-
- 4 RxD-

Connector: 1 x M12



Electrical connection - supply

- 1 U+
- 2 trigger input
- 3 0 V
- 4 switching output 1 configurable
- 5 switching output 2 configurable /
trigger output with external illumination

Connector: 1 x M12

