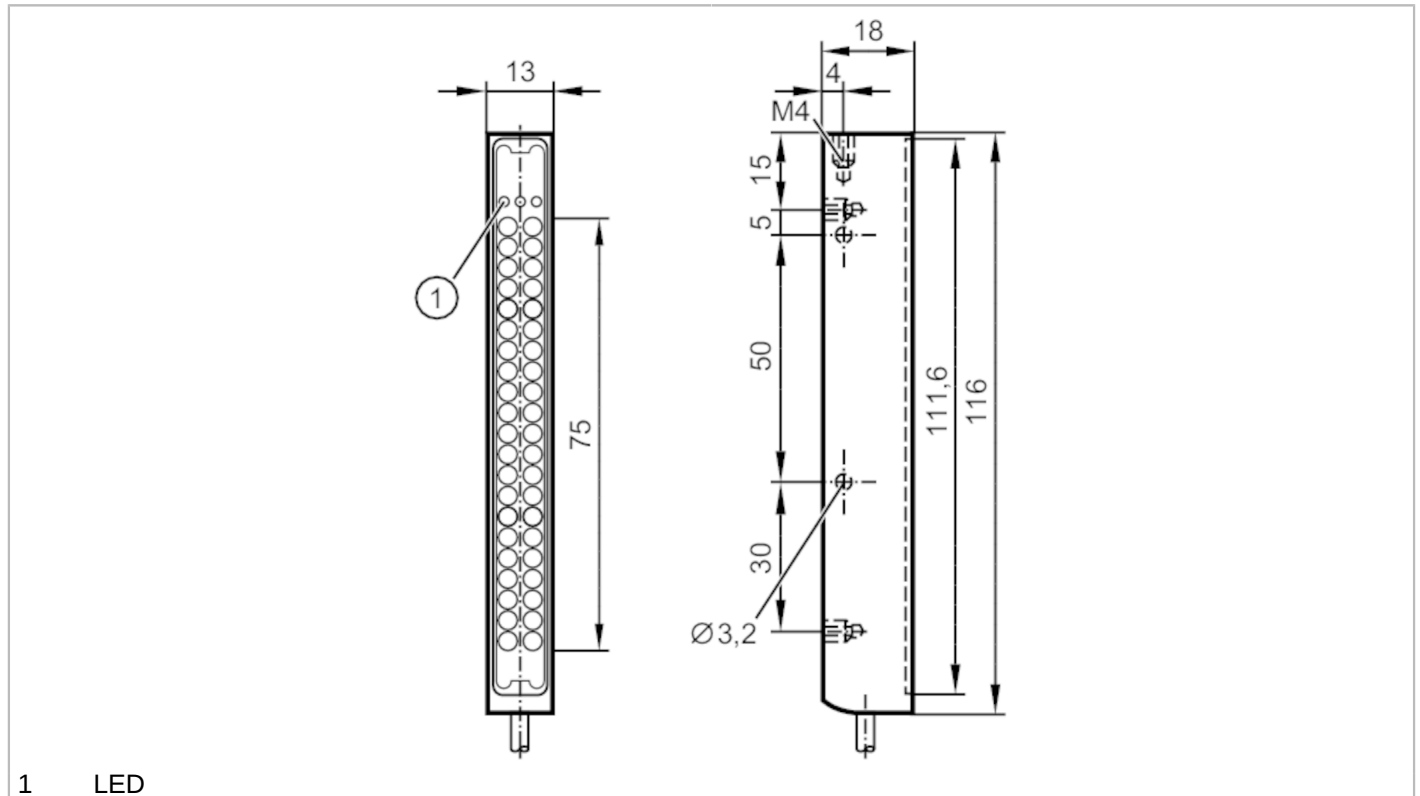




External illumination

BAR LIGHT 10x75 RT/0,3M/US



1 LED



Product characteristics	
Type of light	red light
Dimensions [mm]	116 x 13 x 18
Application	
Illuminated field	10 x 75
Design	bars
Type of operation	high light intensity (pulsed, permanent operation with cooling only); normal light intensity (permanent operation possible)
Electrical data	
Operating voltage [V]	24 DC
Current consumption [mA]	operating mode "permanent operation": 225; operating mode "high light intensity": 375
Type of light	red light
Wave length [nm]	617
Inputs	
Trigger	24 V PNP
Operating conditions	
Ambient temperature [°C]	-10...55
Storage temperature [°C]	-25...75
Protection	IP 65
Overheat protection	true; (deactivation at 65...75 °C)
Tests / approvals	
Photobiological safety	exempt group; (DIN EN 62471:2008)

O2D921



External illumination

BAR LIGHT 10x75 RT/0,3M/US

Mechanical data

Weight	[g]	175.5
Dimensions	[mm]	116 x 13 x 18
Materials		aluminium black anodised
Lens material		glass

Displays / operating elements

Display	illumination status	1x LED, yellow
	operation	1x LED, green
	excess temperature	1x LED, red

Remarks

Pack quantity	1 pcs.
---------------	--------

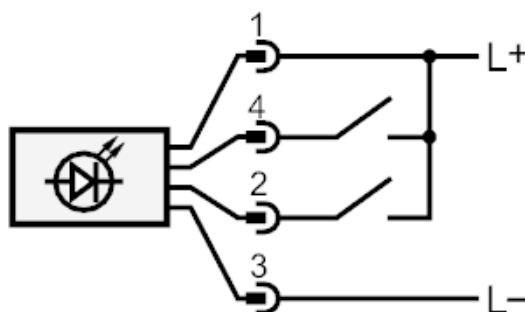
Electrical connection

Cable: 0.3 m, PUR, black; 4 x 0.34 mm²

Connector: 1 x M12



Connection



- 4 trigger
- 2 operating mode "high light intensity"