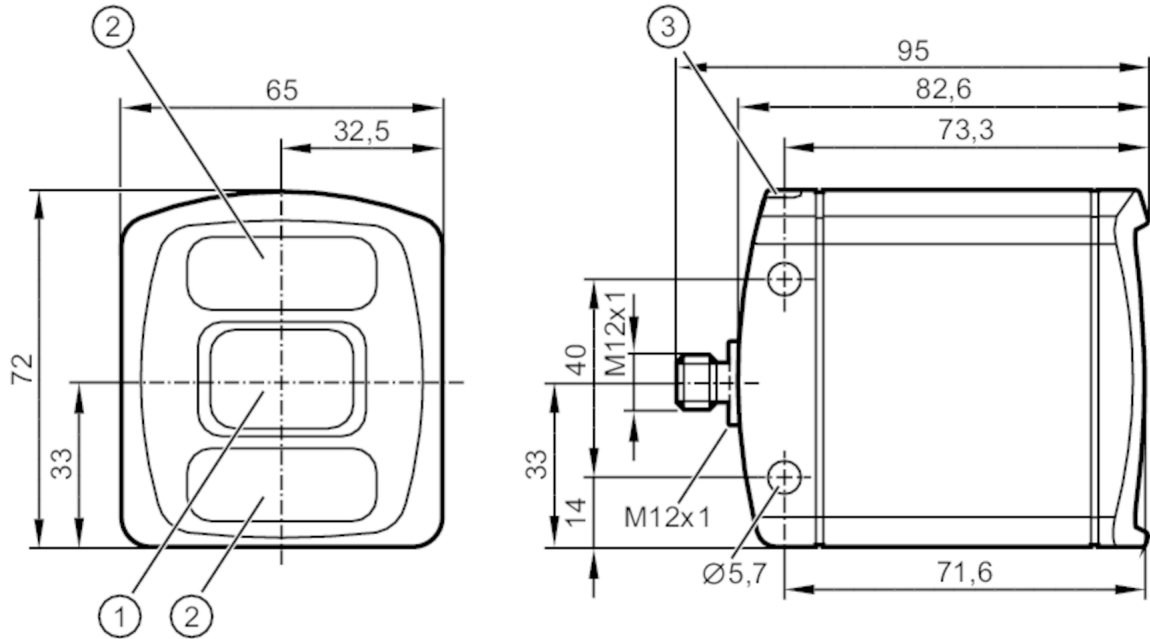


O3D305



3D camera

O3DIRDKG/E1/GM/W/70



- 1 lens
- 2 illumination unit
- 3 LED 2-colour yellow/green



Product characteristics

Image resolution	[pixels]	352 x 264
Angle of aperture 3D	[°]	70 x 51; (nominal value without lens distortion correction)
Max. reading rate	[Hz]	20
Dimensions	[mm]	72 x 65 x 82.6

Application

Application	output of 3D image data
-------------	-------------------------

Electrical data

Operating voltage	[V]	20.4...28.8 DC; (EN 61131-2)
Current consumption	[mA]	< 2400; (peak current pulsed; typical value: 420; maximum value: 1600)
Power consumption	[W]	10; (typical value)
Protection class		III
Image sensor		PMD 3D ToF-Chip
Internal lighting		yes

Inputs / outputs

Number of inputs and outputs	Number of digital outputs: 2
------------------------------	------------------------------

Inputs

Trigger	24 V PNP/NPN (IEC 61131-2 Typ 3)
---------	----------------------------------



3D camera

O3DIRDKG/E1/GM/W/70

Outputs	
Total number of outputs	2
Number of digital outputs	2; (configurable)
Output function	24 V PNP/NPN; (EN 61131-2)
Max. current load per output [mA]	100
Short-circuit protection	yes
Type of short-circuit protection	pulsed
Overload protection	yes
Detection zone	
Operating distance [mm]	300...8000
Note on operating distance	object size: 200 x 200 mm reflectivity: 18 %
Image resolution [pixels]	352 x 264
Angle of aperture 3D [°]	70 x 51; (nominal value without lens distortion correction)
Max. reading rate [Hz]	20
Measuring/setting range	
Measuring range [m]	< 30
Software / programming	
Parameter setting options	via PC with ifm Vision Assistant or XML-RPC
Interfaces	
Communication interface	Ethernet
Ethernet	
Number of Ethernet interfaces	1
Transmission standard	10Base-T; 100Base-TX
Transmission rate	10; 100
Protocol	TCP/IP
Factory settings	IP address: 192.168.0.69 subnet mask: 255.255.255.0 gateway IP address: 192.168.0.201
Operating conditions	
Ambient temperature [°C]	-10...50
Storage temperature [°C]	-40...85
Protection	IP 65; IP 67
Max. immunity to extraneous light [klx]	8; (with reduced measuring accuracy and repeatability: < 100)

O3D305



3D camera

O3DIRDKG/E1/GM/W/70

Tests / approvals		
EMC	DIN EN 61000-6-4	radiation of interference / industrial environments
	DIN EN 61000-6-2	noise immunity / industrial environments
Shock resistance	DIN EN 60068-2-27	50 g / (11 ms) not repetitive
	DIN EN 60068-2-27	40 g / (6 ms) repetitive
Vibration resistance	DIN EN 60068-2-6	2 g / (10...150 Hz)
	DIN EN 60068-2-64	2.3 g RMS / (10...500 Hz)
Photobiological safety	exempt group; (DIN EN 62471)	
Electrical protection	DIN EN 61010-2-201	electrical supply only via PELV circuits
MTTF [years]	45.02	

Mechanical data		
Weight [g]	768	
Dimensions [mm]	72 x 65 x 82.6	
Materials	housing: diecast aluminium; front lens: Gorilla Glass; function display: PA	

Displays / operating elements		
Display	function	2 LED, green Ethernet operation
	switching status	2 LED, yellow OUT 1 OUT 2

Accessories		
Accessories (supplied)	USB memory stick with software and documentation Protective covers	

Remarks		
Pack quantity	1 pcs.	

Electrical connection - Ethernet		
1	TD +	
2	RD +	
3	TD -	
4	RD -	

Connector: 1 x M12



Electrical connection - Process connection		
1	U+	
2	trigger input	
3	GND	
4	switching output 1 Ready	
5	switching output 2 cascading	

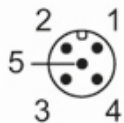
Connector: 1 x M12

O3D305



3D camera

O3DIRDKG/E1/GM/W/70



Other data

Field of view size

measuring range / distance [m]	without lens distortion correction		with lens distortion correction	
	Length [m]	Width [m]	Length [m]	Width [m]
0.50	0.47	0.68	0.40	0.55
1.00	0.94	1.36	0.80	1.10
2.00	1.88	2.72	1.60	2.20
3.00	2.82	4.08	2.40	3.30
4.00	3.76	5.44	3.20	4.40
5.00	4.70	6.80	4.00	5.50