

KN5105

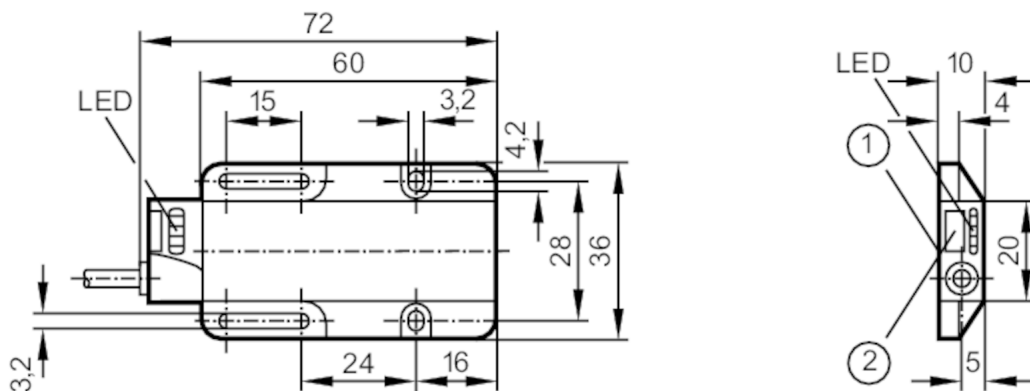


Capacitive sensor

KNQ01NUKFPKG

Article no longer available - archive entry

Alternative article: KQ6002 When selecting an alternative article and accessories please note that technical data may differ! – When selecting an alternative article and accessories please note that technical data may differ!



- 1 Sensing face
- 2 teach-in element



Product characteristics	
Electrical design	PNP
Output function	normally open / normally closed; (selectable)
Sensing range [mm]	adjustment to the empty and full state possible
Housing	rectangular
Dimensions [mm]	72 x 36 x 10
Application	
Special feature	Function check output
Installation	detection through non-metallic container wall or on bypass pipes
Media	dry bulk material; liquids
Recommended media	media with a dielectric constant < 20; oils
Electrical data	
Operating voltage [V]	10...36 DC
Current consumption [mA]	30; (24 V)
Protection class	II
Reverse polarity protection	yes

KN5105



Capacitive sensor

KNQ01NUKFPKG

Outputs		
Electrical design		PNP
Output function		normally open / normally closed; (selectable)
Max. voltage drop switching output DC	[V]	2.5
Function check output		yes
Max. voltage drop of function check output	[V]	3.5
Max. current load for function check output	[mA]	10
Permanent current rating of switching output DC	[mA]	150
Switching frequency DC	[Hz]	5
Short-circuit protection		yes
Type of short-circuit protection		pulsed
Overload protection		yes
Detection zone		
Sensing range	[mm]	adjustment to the empty and full state possible
Operating conditions		
Ambient temperature	[°C]	-25...80
Protection		IP 67
Tests / approvals		
EMC		EN 60947-5-2
Mechanical data		
Housing		rectangular
Mounting		non-flush mountable
Dimensions	[mm]	72 x 36 x 10
Materials		PC; PBT
Displays / operating elements		
Display	switching status	1 x LED, yellow
	operation	1 x LED, green
	function	1 x LED, red
Accessories		
Accessories (supplied)		screwdriver: 1
Remarks		
Pack quantity		1 pcs.

KN5105



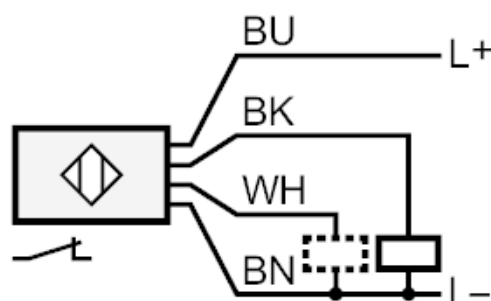
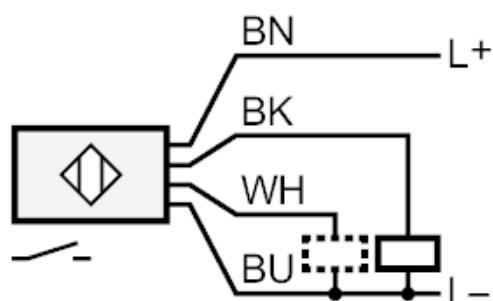
Capacitive sensor

KNQ01NUKFPKG

Electrical connection

Cable: 2 m, PVC; 4 x 0.14 mm²

Connection



WH: Function check output programming wire

Core colours :

BK = black

BN = brown

BU = blue

WH = white

Article no longer available - archive entry

Alternative article: KQ6002 When selecting an alternative article and accessories please note that technical data may differ! – When selecting an alternative article and accessories please note that technical data may differ!