

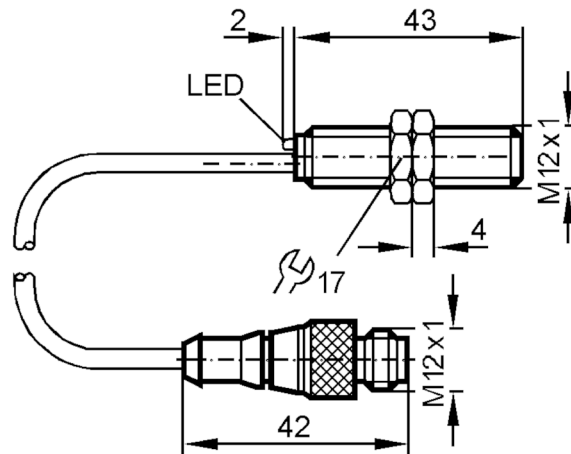
IF9217



Inductive sensor

IFB2002-BRKG/0,80M/US

Article no longer available - archive entry



Product characteristics

Electrical design		PNP/NPN
Output function		normally closed
Sensing range	[mm]	2
Housing		threaded type
Dimensions	[mm]	M12 x 1

Electrical data

Operating voltage	[V]	10...36 DC
Reverse polarity protection		yes

Outputs

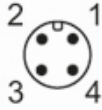
Electrical design		PNP/NPN
Output function		normally closed
Max. voltage drop switching output DC	[V]	4.6
Minimum load current	[mA]	4
Max. leakage current	[mA]	0.6
Permanent current rating of switching output DC	[mA]	150
Switching frequency DC	[Hz]	1200
Short-circuit protection		yes
Type of short-circuit protection		pulsed
Overload protection		yes

IF9217



Inductive sensor

IFB2002-BRKG/0,80M/US

Detection zone		
Sensing range	[mm]	2
Real sensing range Sr	[mm]	2 ± 10 %
Operating distance	[mm]	0...1.6
Accuracy / deviations		
Correction factor		steel: 1 / stainless steel: 0.7 / brass: 0.4 / aluminium: 0.3 / copper: 0.2
Hysteresis	[% of Sr]	1...15
Switch point drift	[% of Sr]	-10...10
Operating conditions		
Ambient temperature	[°C]	-25...80
Protection		IP 67
Tests / approvals		
EMC	EN 60947-5-2	class B
	EN 55011	
Mechanical data		
Housing		threaded type
Mounting		flush mountable
Dimensions	[mm]	M12 x 1
Thread designation		M12 x 1
Materials		brass nickel-plated; PBT
Displays / operating elements		
Display	switching status	1 x LED, yellow
Accessories		
Accessories (supplied)		lock nuts: 2
Remarks		
Pack quantity		1 pcs.
Electrical connection - plug		
Cable: 0.8 m, PUR		
Connector: 1 x M12		
		

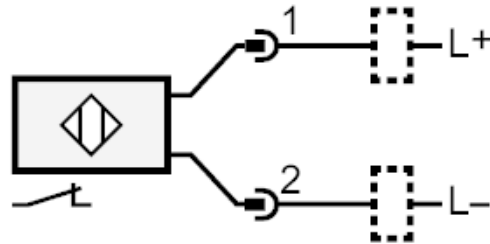
IF9217

Inductive sensor

IFB2002-BRKG/0,80M/US



Connection



Article no longer available - archive entry