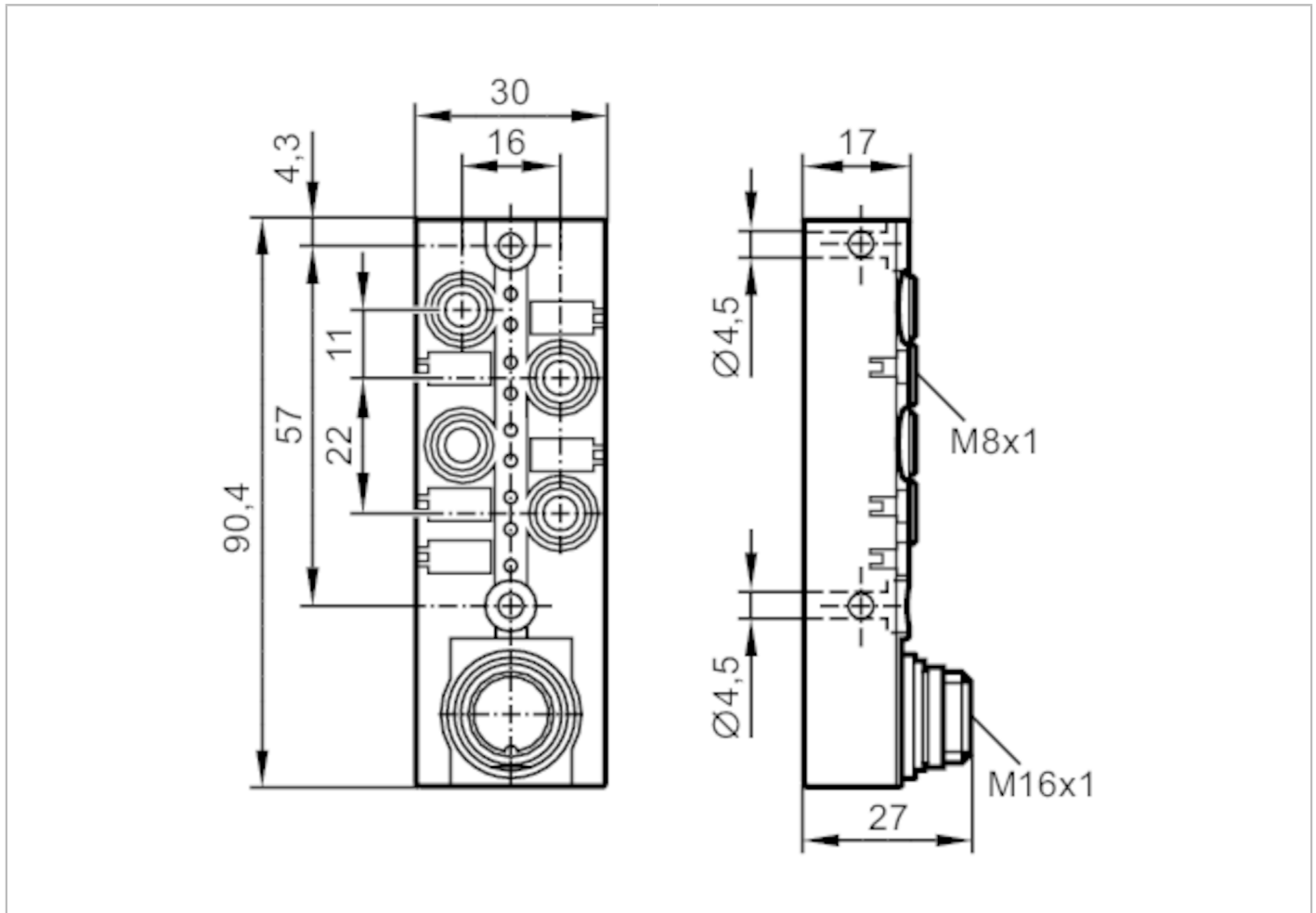


# EBC053



## Splitter box

ZDO4F049MSS0000---STGO120MSS



Application	
Special feature	Gold-plated contacts
Electrical data	
Operating voltage [V]	10...30 DC; ("supply class 2" to cULus)
Protection class	III
Max. current load per module/slot [A]	2
Max. current load total [A]	6
Outputs	
Electrical design	PNP
Operating conditions	
Ambient temperature [°C]	-25...80
Ambient temperature (moving) [°C]	-5...60
Protection	IP 67; IP 68; (1 m / 7 days)

# EBC053



## Splitter box

ZDO4F049MSS0000---STGO120MSS

Mechanical data	
Weight [g]	109
Dimensions [mm]	27 x 30 x 90.4
Materials	PBT-GF20; brass nickel-plated
Number of ports splitter box	4
Connector type	M8

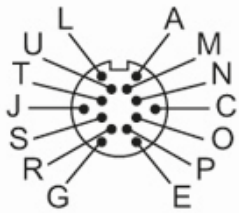
Displays / operating elements		
Display	switching status	8 x LED, yellow
	operation	1 x LED, green

Accessories		
Accessories (optional)	DIN rail adapter., E73006	
	Protective caps, for M8 sockets, E73005	

Remarks	
Pack quantity	1 pcs.

### Electrical connection - Connection

Connector: 1 x M16; Moulded body: PBT-GF 20 / brass, nickel-plated; Contacts: gold-plated

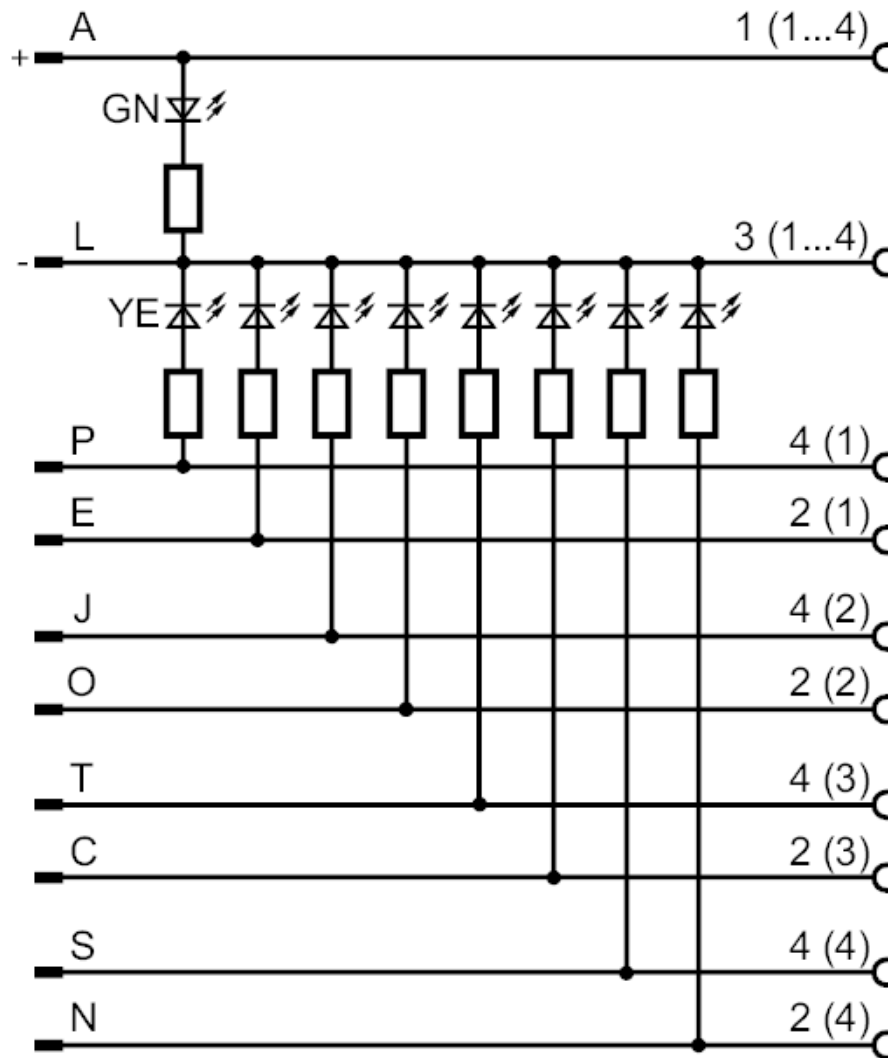




## Splitter box

ZDO4F049MSS0000---STGO120MSS

### Connection



### Electrical connection - slot

Connector: 4 x M8; Moulded body: PBT-GF 20 / brass, nickel-plated; Contacts: gold-plated

