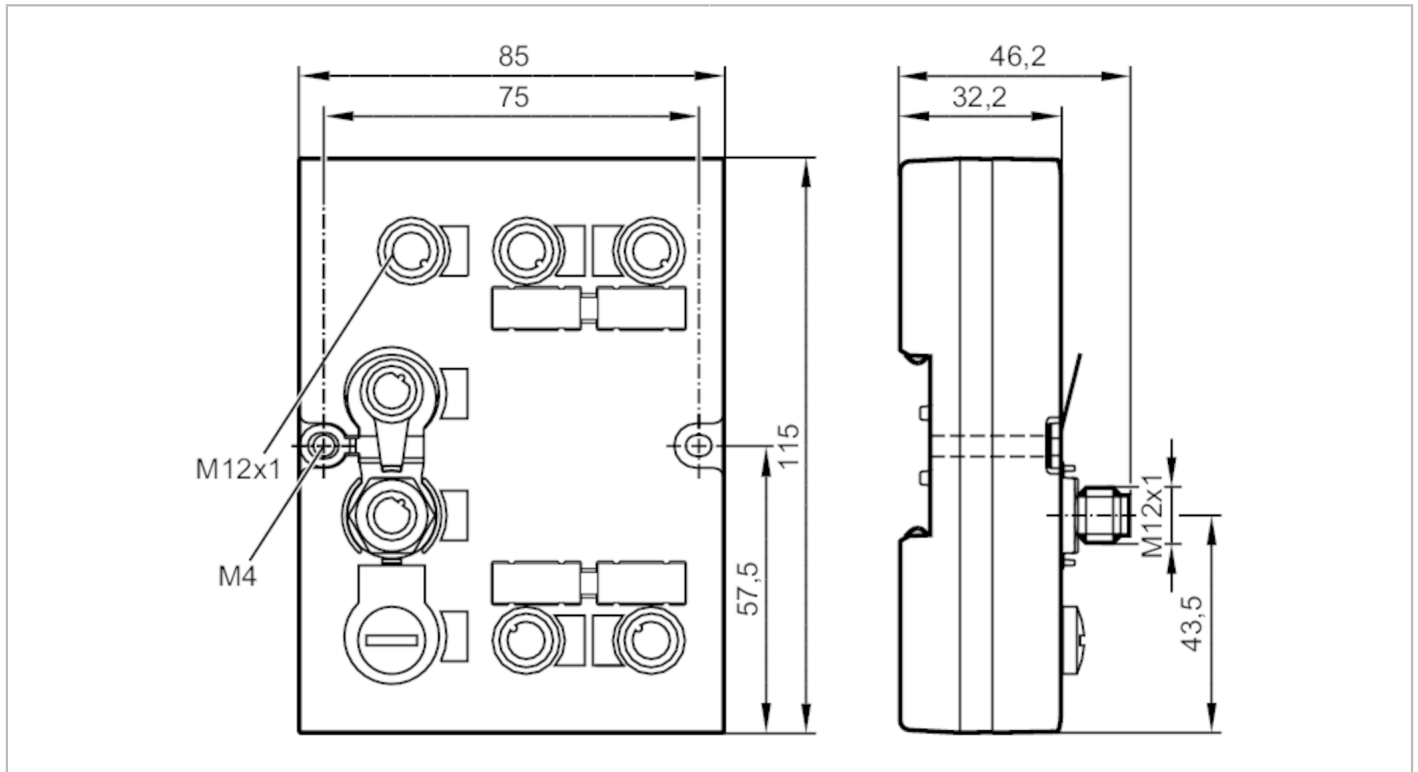


# DTE103



## RFID evaluation unit LF/HF

DTELF/HFABRWECUS00



Electrical data		
Operating voltage	[V]	18...30 DC
Current consumption	[mA]	200...3000
Outputs		
Max. current load per output	[mA]	500
Interfaces		
Communication interface		Ethernet
Ethernet - EtherCAT		
Protocol		EtherCAT
Operating conditions		
Ambient temperature	[°C]	-20...60
Storage temperature	[°C]	-20...85
Protection		IP 67
Tests / approvals		
Shock resistance	IEC 60028-2-27	15 g 11 ms
Vibration resistance	IEC 60028-2-6	±1.6 mm (17...18 Hz) / 2 g (10...150 Hz)
MTTF	[years]	108.28
Mechanical data		
Weight	[g]	393.5
Dimensions	[mm]	115 x 46.2 x 85
Materials		upper part: PA Grivory GV4H orange; upper part: TPE; lower part: GD-AISi12

# DTE103



## RFID evaluation unit LF/HF

DTELF/HFABRWECUS00

Displays / operating elements		
Display	voltage supply	1 x LED, green
		1 x LED, yellow
	EtherCAT RUN/ERR	2 x LED, red/green
	EtherCAT IN/OUT	1 x LED, green
		1 x LED, yellow
	Inputs / outputs	1 x LED, green
		1 x LED, yellow

Accessories	
Accessories (supplied)	Protective cap: M12, E73004

Remarks	
Remarks	\$EtherCAT_ist_eine_eingetragene_Marke_und_patentiert_und_lizenziert_durch_Beckhoff
Pack quantity	1 pcs.

### Electrical connection - Ethernet

IN / OUT	
1	TD+
2	RD+
3	TD-
4	RD-

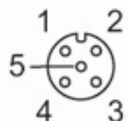
Connector: 2 x M12



### Electrical connection - Process connection

IO 1...4	
1	L+
2	IN (I/Q)
3	L-
4	OUT (C/Qo); IN (C/Qi)
5	n.c.

Connector: 4 x M12



# DTE103



## RFID evaluation unit LF/HF

DTELF/HFABRWECUS00

### Electrical connection - voltage supply

#### AUX

1	24 V DC
2	n.c.
3	0 V
4	n.c.
5	n.c.

Connector: 1 x M12

