

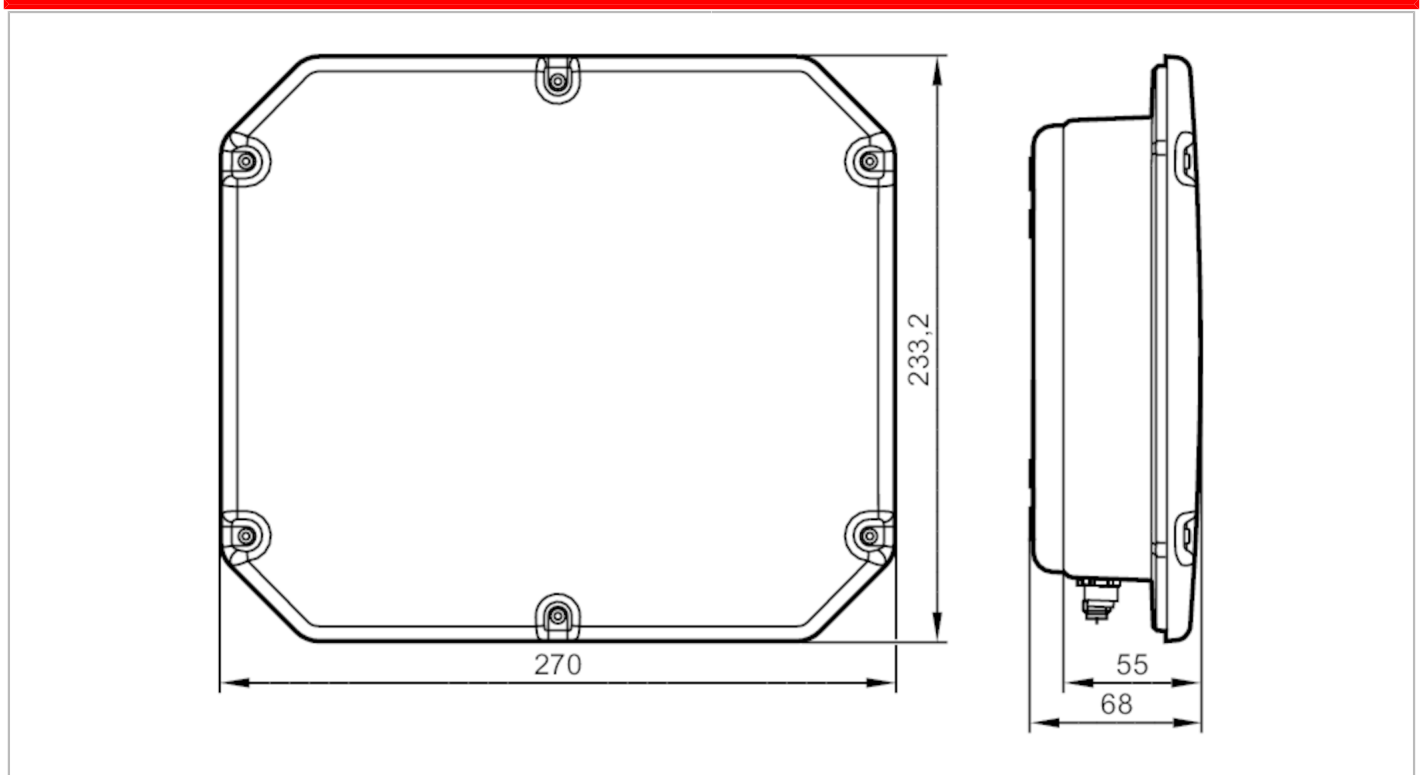
DTE810



RFID evaluation unit UHF

DTEUHF_ABRWEIUS04

Article no longer available - archive entry




Application	
Radio approval for	Europe
Electrical data	
Operating voltage [V]	24 DC
Current consumption [mA]	700
Operating frequency [MHz]	865...868 (ETSI); (India: 865...867 MHz The operating frequency is activated by importing the corresponding configuration file.)
Antenna connections	4; (TNC Reverse)
RFID standard	EPC Class1 GEN2/ISO 18000-6C
Transmission power ERP [mW]	2000
Impedance [Ω]	50
Inputs / outputs	
Number of inputs and outputs	Number of digital inputs: 4; Number of digital outputs: 4
Inputs	
Number of digital inputs	4
Outputs	
Number of digital outputs	4
Max. current load per output [mA]	500
Software / programming	
Parameter setting options	Software

DTE810



RFID evaluation unit UHF

DTEUHFE_ABRWEIUS04

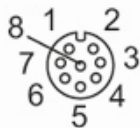
Interfaces	
Communication interface	Ethernet
Ethernet	
Protocol	TCP/IP; IP
Operating conditions	
Ambient temperature [°C]	-25...55
Storage temperature [°C]	-25...85
Protection	IP 65
Mechanical data	
Weight [g]	3056
Housing	rectangular
Dimensions [mm]	233.5 x 270 x 68
Materials	housing: aluminium; Protective cover: plastics; TNC socket: brass / PTFE; connector: brass / plastic
Displays / operating elements	
Display	operation 1 x LED, red green
Remarks	
Pack quantity	1 pcs.
Electrical connection - Ethernet	
1	TD+
2	RD+
3	TD-
4	RD-
Connector: 1 x M12	
	
Electrical connection - Process connection	
1	switching output CMN
2	switching input 3 / switching input 0
3	switching input CMN
4	0 V
5	U+
6	switching output 3 / switching output 1
7	switching output 2 / switching output 0
8	switching input 2 / switching input 1
Connector: 1 x M12	

DTE810



RFID evaluation unit UHF

DTEUHF_ABRWEIUS04



Electrical connection - supply

1	U+
2	n.c.
3	0 V
4	n.c.

Connector: 1 x M12



Article no longer available - archive entry