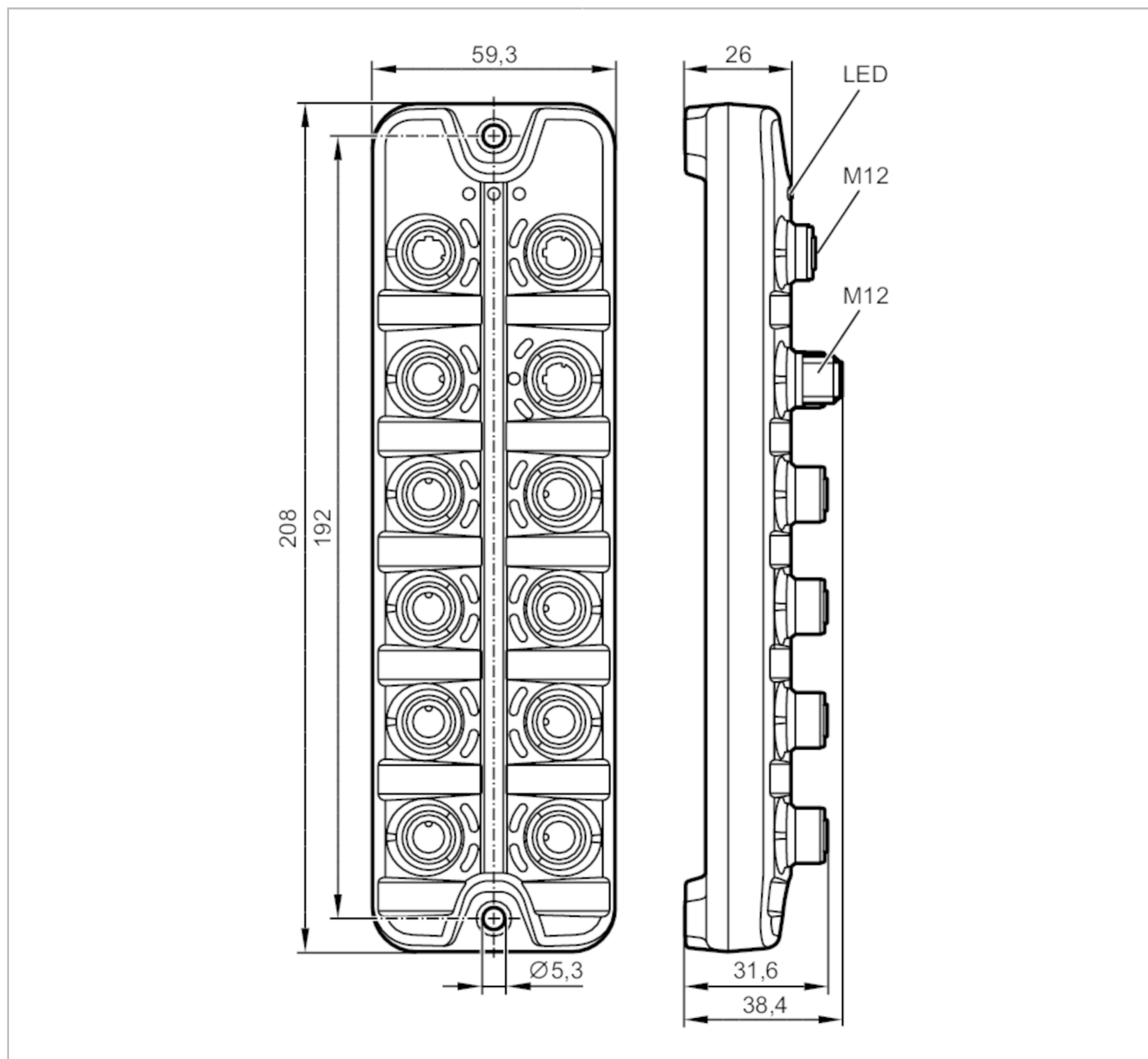


AL1342



IO-Link master with Modbus TCP interface

IO-Link Master DL MB 8P IP67



| Application | |
|-----------------------------|------------------------------------|
| Application | I/O modules for field applications |
| Daisy-chain function | fieldbus interface |
| Electrical data | |
| Operating voltage [V] | 20...30 DC; (US; to SELV/PELV) |
| Current consumption [mA] | 300...3900; (US) |
| Protection class | III |
| Sensor supply US | |
| Max. current load total [A] | 3.6 |



IO-Link master with Modbus TCP interface

IO-Link Master DL MB 8P IP67

| Inputs / outputs | |
|---|--|
| Total number of inputs and outputs | 16; (configurable) |
| Number of inputs and outputs | Number of digital inputs: 16; Number of digital outputs: 8 |
| Inputs | |
| Number of digital inputs | 16; (IO-Link Port Class A: 8 x 2) |
| Switching level high [V] | 11...30 |
| Switching level low [V] | 0...5 |
| Digital inputs protected against short circuits | yes |
| Outputs | |
| Number of digital outputs | 8; (IO-Link Port Class A: 8 x 1) |
| Max. current load per output [mA] | 300 |
| Short-circuit proof | yes |
| Interfaces | |
| Communication interface | Ethernet; IO-Link |
| Addition | Secure protocol; <p>HTTPS</p> |
| Ethernet - Internet of Things | |
| Transmission standard | 10Base-T; 100Base-TX |
| Transmission rate | 10; 100 |
| Protocol | MQTT JSON |
| Factory settings | IP address: 169.254.x.x |
| | subnet mask: 255.255.0.0 |
| | gateway IP address: 0.0.0.0 |
| | MAC address: see type label |
| Ethernet - Modbus TCP | |
| Transmission standard | 10Base-T; 100Base-TX |
| Transmission rate | 10; 100 |
| Protocol | Modbus TCP |
| Factory settings | IP address: 192.168.1.250 |
| | subnet mask: 255.255.255.0 |
| | gateway IP address: 0.0.0.0 |
| | MAC address: see type label |
| IO-Link Master | |
| Transmission type | COM 1 / COM 2 / COM 3 |
| IO-Link revision | 1.1 |
| Number of ports class A | 8 |
| Operating conditions | |
| Ambient temperature [°C] | -25...60 |
| Storage temperature [°C] | -25...85 |
| Max. relative air humidity [%] | 90 |
| Protection | IP 65; IP 66; IP 67 |
| Degree of soiling | 2 |



IO-Link master with Modbus TCP interface

IO-Link Master DL MB 8P IP67

| Tests / approvals | |
|----------------------|---------------------------|
| EMC | EN 61000-6-2 |
| | EN 61000-6-4 |
| Shock resistance | DIN EN 60068-2-27 |
| Vibration resistance | DIN EN 60068-2-64 2009-04 |
| | DIN EN 60068-2-6 2008-10 |

| Mechanical data | |
|-----------------|--|
| Weight | [g] 403 |
| Materials | housing: PA; socket: brass nickel-plated |

| Remarks | |
|---------------|--|
| Remarks | For further information please see the operating instructions. |
| Pack quantity | 1 pcs. |

Electrical connection - Ethernet

Modbus TCP X21, X22

| | |
|---|----------|
| 1 | TX + |
| 2 | RX + |
| 3 | TX - |
| 4 | RX - |
| 5 | not used |

IoT X23

| | |
|---|----------|
| 1 | TX + |
| 2 | RX + |
| 3 | TX - |
| 4 | RX - |
| 5 | not used |

Connector: M12



Electrical connection - Process connection

IO-Link Port Class A X01...X08

| | |
|---|--------------------------|
| 1 | Sensorversorgung (US) L+ |
| 2 | digital input |
| 3 | Sensorversorgung (US) L- |
| 4 | C/Q IO-Link |
| 5 | not used |

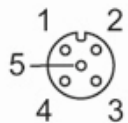
Connector: M12

AL1342



IO-Link master with Modbus TCP interface

IO-Link Master DL MB 8P IP67



Electrical connection - voltage supply

X31

| | |
|---|----------------|
| 1 | + 24 V DC (US) |
| 2 | not used |
| 3 | GND (US) |
| 4 | not used |

Connector: M12

